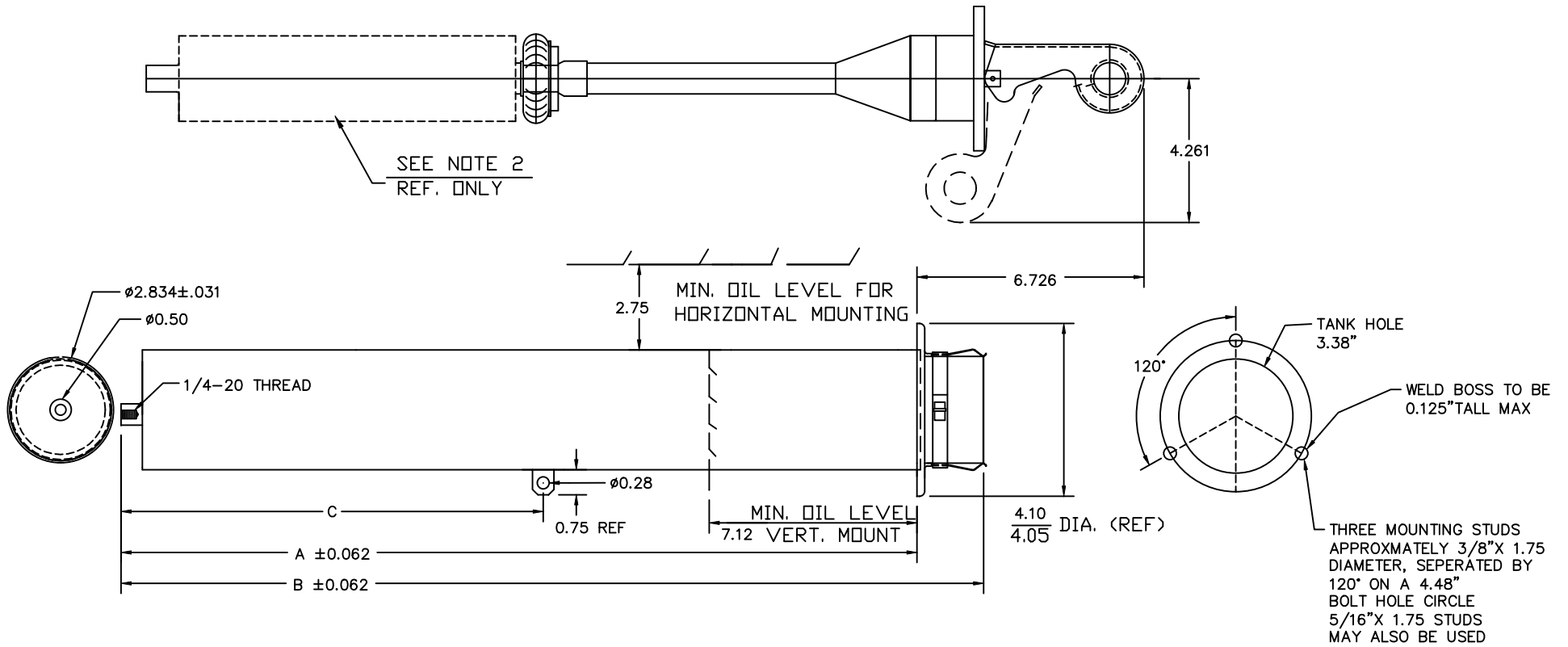


	ASSEMBLY NUMBER	kV CLASS	BIL.	A	B	C	CLAMP	GASKET
WELDED-IN VERSIONS	4260079-901	8.5	95	18.745	20.305	9.97	N/A	N/A
	4260079-902	15	125	23.125	24.685	14.35		
	4260079-903	23	125	25.935	27.495	17.16		
CLAMPED-IN VERSIONS	4260079-904	8.5	95	18.745	20.305	9.97	9820A33H01	1210221-021
	4260079-905	15	125	23.125	24.685	14.35		
	4260079-906	23	125	25.935	27.495	17.16		



NOTES:

1. PUNCH 3.38" DIA. MOUNTING HOLE.
2. FUSE IS SHOWN FOR REFERENCE ONLY AND IS NOT SUPPLIED WITH FUSEHOLDER
3. ASS'Y 903 AND 906 USED FOR 23KV., 125KV BIL.
4. SEALING MEMBER TO BE CLEAN AND FREE FROM GREASE PRIOR TO INSTALLING IN FUSEHOLDER.
5. FOR GASKET AND FLANGE DETAIL FOR 904, 905, 906, SEE 44-890 PAGE13

TITLE: TYPE K CURRENT LIMITING FUSEHOLDER		ABB ALAMO, TN	
DIMENSION SHEET: 44-887		PAGE 15	REV 01

A | B | C | D | E | F | G | H | J | K