

PRESSURE RELIEF VALVE

FEATURES

- Reliable cracking pressure, 10 PSIG +/- 2
- Positive reseal pressure, 8 PSIG +/- 2
- Heavy-duty Brass body and poppet
- Dual purpose Brass wrap-around exhaust shield
- Corrosion resistant Stainless Steel spring and pull ring
- Flow capacity 35 SCFM flow rate at 15 PSIG
- Precision rolled 1/4"-18 NPT threads
- Long lasting Viton seal
- Cost saving factory applied Teflon taped threads
- Compact package size minimizes obstruction
- Large wrench flat area
- Complete model number identification on shield
- Heavy gauge, large diameter pull ring
- Meets ANSI and REA Standards

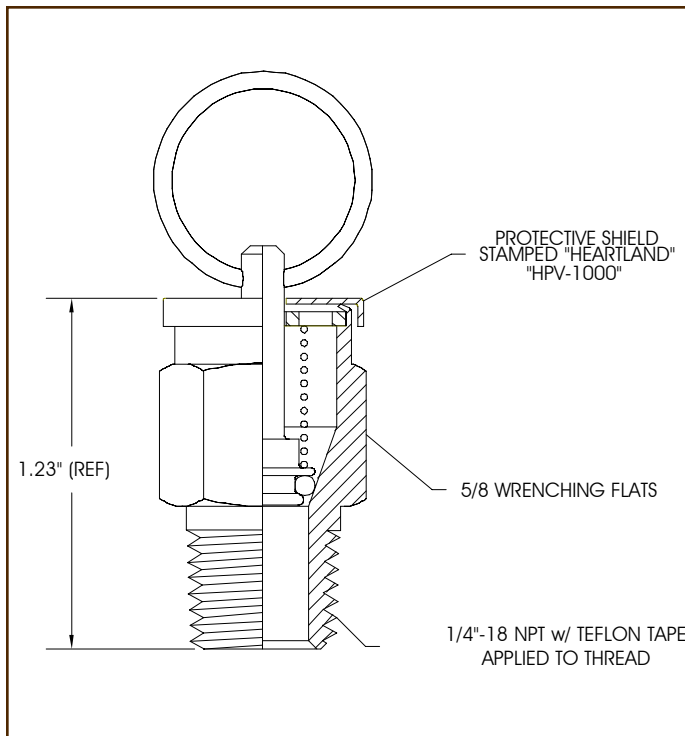


HPV-1000 MODEL

The HPV-1000 is one model in the Heartland HPV family of pressure relief valves.

APPLICATION The Heartland model HPV-1000 pressure relief valve relieves excessive pressure in transformers, regulators and other electrical equipment. ANSI and REA Standards specify pressure relief valves for oil filled equipment. The HPV-1000 pressure relief valve meets these standards. Heartland Solution's model HPV-1000 reliably relieves the excess pressure in either indoor or outdoor transformer, regulator and other electrical equipment applications.

TECHNICAL DATA



DESCRIPTION	MATERIAL
Body	Brass
Shield	Brass
Pull Ring	Stainless
Poppet	Brass
O-Ring	Viton
Spring	Stainless
Guide	Stainless

OPERATION The valve is designed to open and close automatically. When the pressure in the gas space reaches the cracking pressure, the valve will open and continue to remain open until the pressure reaches the reseal pressure, then close. The reseal point occurs at a positive pressure to maintain the integrity of the gas space. The exhaust port of the valve is protected by a dual purpose shield. While the valve is closed, the shield prevents bugs from fouling the port. When the valve operates, the shield deflects and discharges the exhaust stream. The valve can be manually operated by pulling on the ring. The valve will continue to exhaust until the pull ring is released or all the excess pressure is relieved.

SOLUTIONS Heartland personnel have been assisting customers with transformer control and instrumentation applications since 1970. We invite you to contact our customer service professionals with your requirements. Heartland is the source for quality products, fast service and dependable support. The next time your application requires a pressure relief valve, order the HPV-1000 from the solutions company, Heartland Solutions.

The Heartland family of pressure relief valves includes models for other applications. For information on other pressure relief valve models or other fine Heartland products for electrical equipment, please phone, fax or E-mail Heartland Solutions.

 **Heartland Products Division**

Heartland Solutions, Inc.
630 Brooker Creek Blvd.
Suite 345
Oldsmar, FL 34677

Phone: 800.957.3493
Fax: 877.779.4567
Internet: info@hland.com