

250 A Apparatus Bushings



Cooper Power Systems

DB250
DB250S
DB250L

Electrical Apparatus

1550-15



Figure 1.
DB250 Deadbreak Apparatus Bushing.

APPLICATION

- For oil-insulated (R-temp, hydrocarbon, or silicon) apparatus, including switchgear, transformers, and capacitors.
- System voltage up to 24 kV.
- Continuous Current 250 A.
- For indoor and outdoor installations.
- Mounting in vertical or horizontal position.

STANDARDS

- Meets the interface requirements of CENELEC HD 506 S1, ANSI/IEEE 386, DIN 47636 EDF C33-051, and others.
- Has been tested with mating parts to IEC 60502-4 and CENELEC HD 629.1 S1.

QUALITY

- 100% Production Tests
- Periodic X-Ray Analysis

TABLE A
Electrical Ratings

| | |
|---|---------|
| Maximum System Voltage (U_m) | 24 kV |
| Impulse Withstand | 125 kV |
| AC Withstand | 54 kV |
| Continuous Current | 250 A |
| Overload (8 hrs. Max.) | 300 A |
| Short Circuit Withstand 1 sec. (rms sym.) | 12.5 kA |

RELATED PRODUCTS

- Mates with the following products:
 - DE250 Elbow
 - DS250 Straight
 - DRC250 Receptacle Cap

PACKAGING

- Supplied in a box of three, approximate weight 4 kg.

Features and Detailed Description

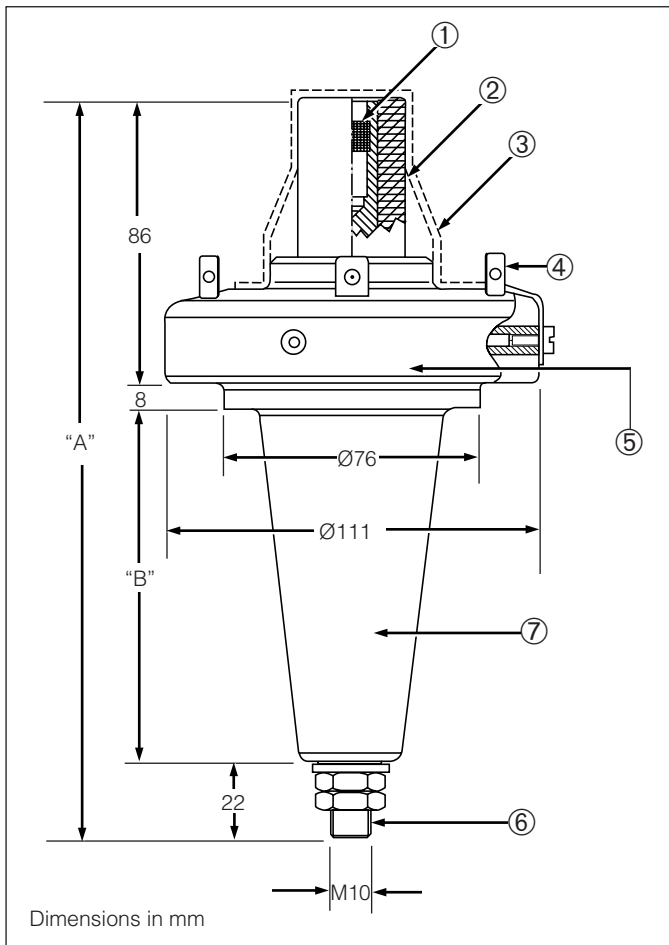


Figure 2.
Section View DB250 Bushing.

TABLE B
DIMENSIONS

| Bushing Catalog No. | "A" (mm) | "B" (mm) |
|---------------------|----------|----------|
| DB250 (standard) | 224 | 108 |
| DB250S (short) | 189 | 73 |
| DB250L (long) | 284 | 168 |

ORDERING INFORMATION

To order, simply specify the catalog number with the required shank length from table B.

Clamping devices and gaskets are ordered separately, as shown below:

TABLE C
Clamping Devices and Gaskets

| Type of Clamp | Catalog Number |
|---------------|----------------|
| DIN 42538 | BC-D-250 |
| NFC 52-453 | BC-N-250 |

1. Contact

Plated multi-point contact accepts the pin contact of the mating connector.

2. Interface

The interference fit between the bushing and the connector prevents the entrance of moisture and contamination.

3. Shipping Cap

The cap prevents contamination of the interface before energization.

4. Bail Tabs

Attachment points for the bail of the mating connector.

5. Internal Screen

The screen controls electrical stress. An earthing plate for connection to the screen is supplied.

6. Central Conductor

The copper conductor has an M10 thread for the apparatus connection.

7. Moulded Epoxy Resin Body

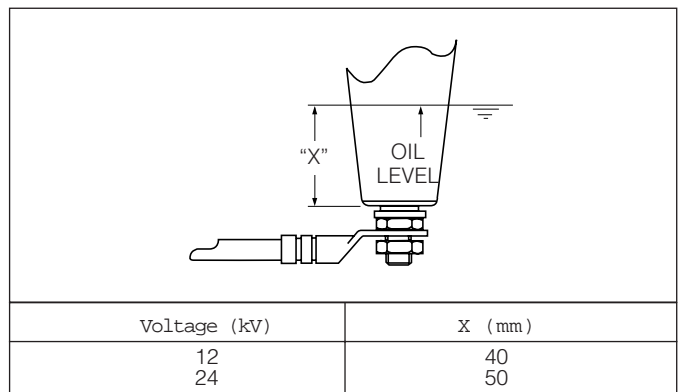


Figure 3.
Minimum oil level.

