

# 630 A Apparatus Bushings



Cooper Power Systems

**DB630 – 24** for 24 kV Applications  
**DB630 – 36** for 36 kV Applications

Electrical Apparatus

# 1550-35



**Figure 1.**  
DB630 Deadbreak Apparatus Bushing.

## APPLICATION

- For oil-insulated (R-temp, hydrocarbon, or silicon) apparatus, including switchgear, transformers, and capacitors.
- System voltage ( $U_m$ ) of 24 kV and 36 kV.
- Continuous Current 630 A.
- For indoor and outdoor installations.
- Mounting in vertical or horizontal position.

## STANDARDS

- Meets the interface requirements of DIN 47636, EDF C33-051, CENELEC HD 506 S1, and others.
- Has been tested with mating parts to IEC 60502-4 and CENELEC HD 629.1 51.

## QUALITY

- 100% Production Tests
- Periodic X-Ray Analysis

**TABLE A**  
Electrical Ratings

|  | DB630-24 | DB630-36 |
|--|----------|----------|
| <b>Maximum System Voltage (<math>U_m</math>)</b> | 24 kV    | 36 kV    |
| <b>Impulse Withstand</b>                         | 125 kV   | 170 kV   |
| <b>AC Withstand</b>                              | 54 kV    | 81 kV    |
| <b>Continuous Current</b>                        | 630 A    | 630 A    |
| <b>Overload (8 hrs Max.)</b>                     | 900 A    | 900 A    |
| <b>Short Circuit Withstand 1 sec. (rms sym.)</b> | 35 kA    | 35 kA    |

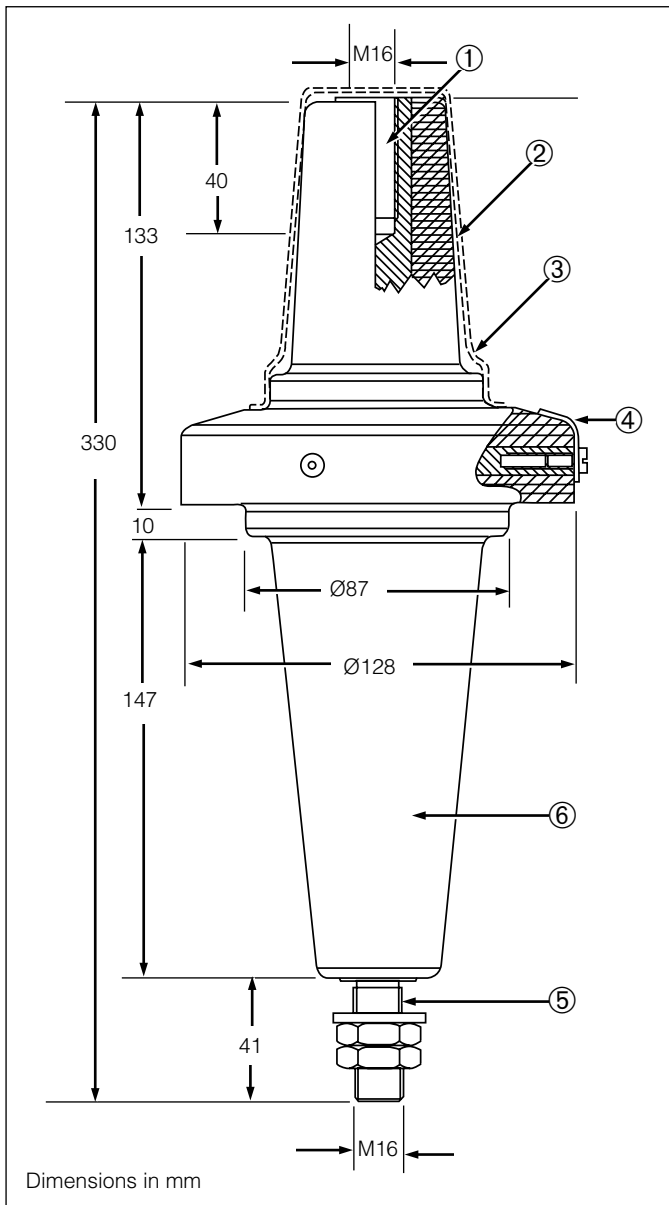
## RELATED PRODUCTS

- Mates with the following products of the same voltage rating:
  - DT400 Tee
  - DT436 Tee
  - DRC400 Receptacle Cap
  - DRC436 Receptacle Cap

## PACKAGING

- Supplied in a box of three, approximate weight 12 kg.

# Features and Detailed Description



**Figure 2.**  
Section View DB630 Bushing.

## ORDERING INFORMATION

To order, simply specify:

**DB630-24** for 24 kV applications

**DB630-36** for 36 kV applications.

Clamping devices and gaskets are ordered separately, as shown below:

**TABLE B**  
Clamping Devices and Gaskets

| Type of Clamp | Catalog Number |
|---------------|----------------|
| DIN 42538     | BC-D-400-630   |
| NFC 52-453    | BC-N-400-630   |

### 1. Threaded Contact

M16 thread accepts the clamping screw of the mating part.

### 2. Interface

The interference fit between the bushing and the connector prevents the entrance of moisture and contamination.

### 3. Shipping Cap

The cap prevents contamination of the interface before energization.

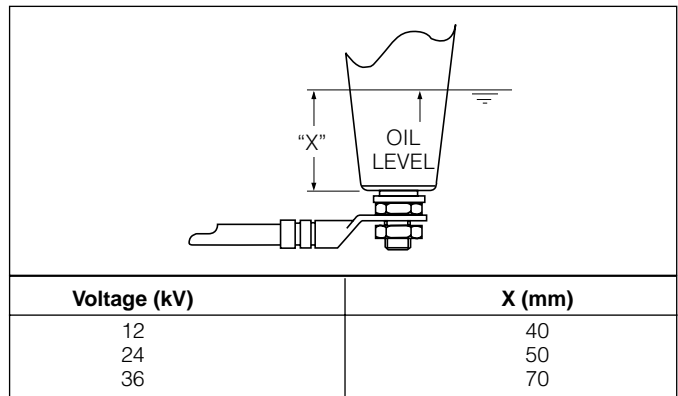
### 4. Internal Screen

The screen controls electrical stress. An earthing plate for connection to the screen is supplied.

### 5. Central Conductor

The copper conductor has an M16 thread for the apparatus connection.

### 6. Moulded Epoxy Resin Body



**Figure 3.**  
Minimum oil level.

**COOPER**

Cooper Power Systems