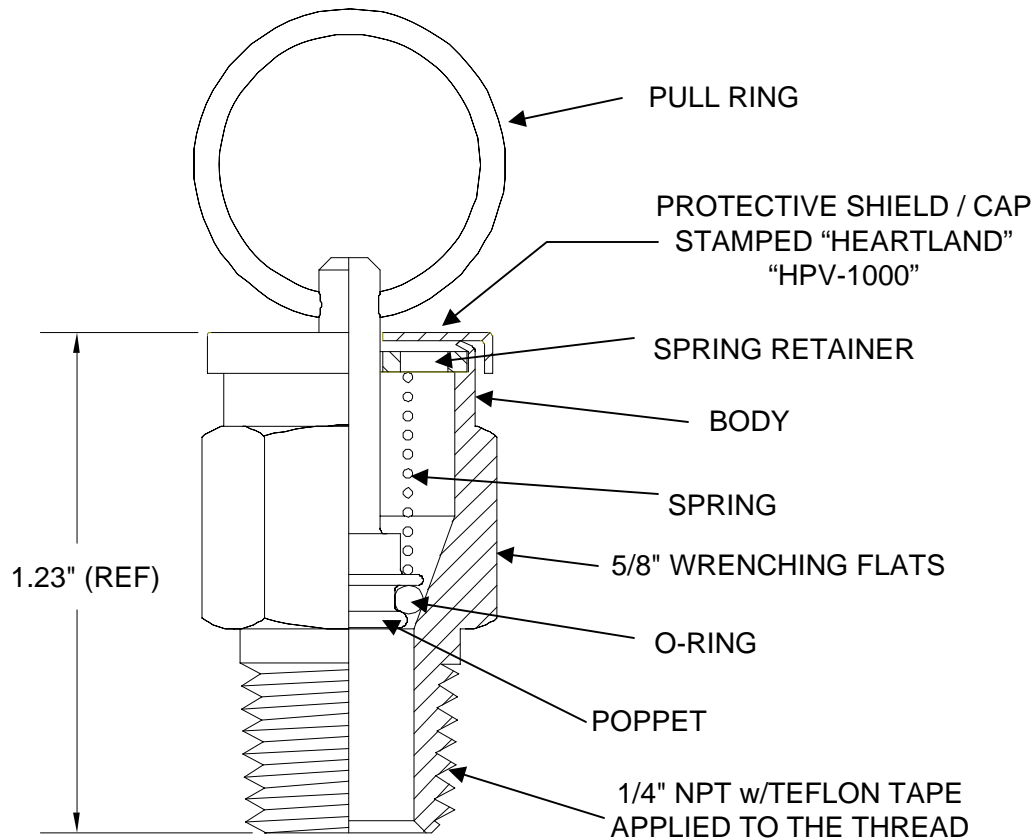




Heartland
SOLUTIONS, INC.



Part Description

Part Description	Material
Body	Brass
Poppet	Brass
O-Ring	Viton
Spring	Stainless Steel
Spring Retainer	Stainless Steel
Shield / Cap	Brass
Pull Ring	Stainless Steel

Operation

Cracking Pressure, 10 PSIG +/- 2 PSIG
 Reseal Pressure 8 PSIG +/- 2 PSIG
 Zero Leaking from Reseal Pressure
 to -8 PSIG
 Flow Rate, 35 SCFM @ 15 PSIG @
 70 degrees F

Fluid Compatibility

Mineral Oil

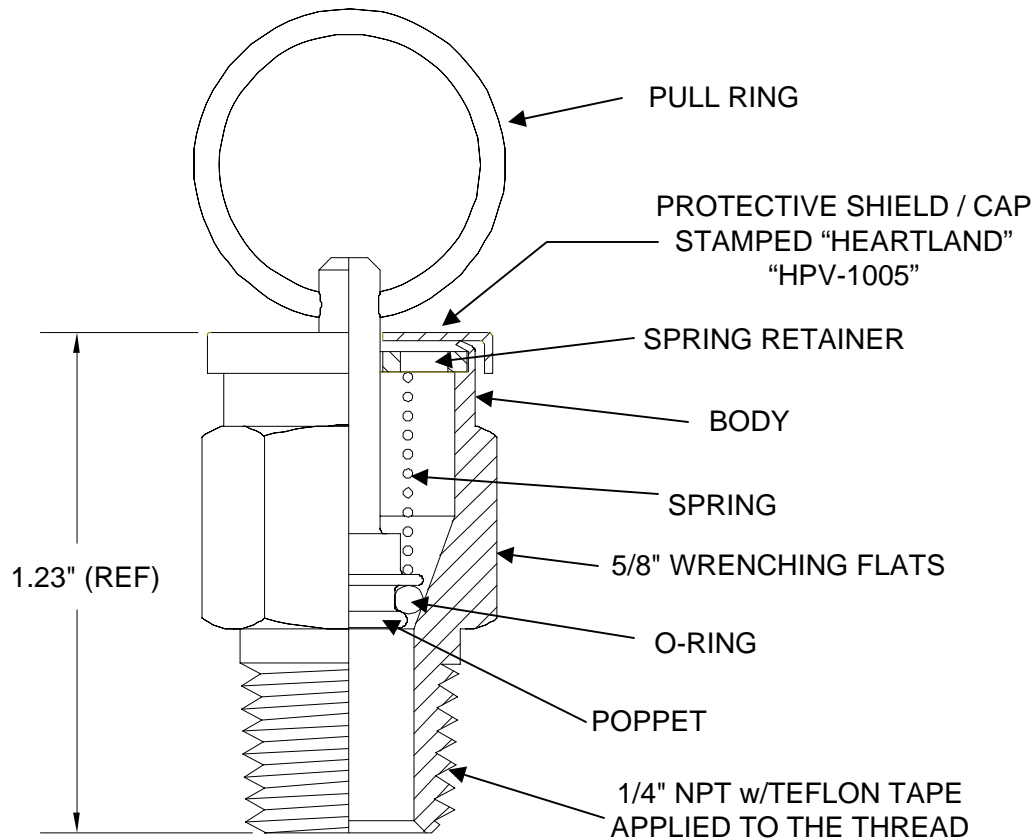


PROTECTIVE SHIELD / CAP

HPV-1000 1/4"-18 NPT PRESSURE RELIEF VALVE		REVISION 04
SCALE: NONE		REVISION DATE: 20 MAR 2009
HEARTLAND SOLUTIONS, INC.		DRAWING NO.
PH: 800.957.3493 FAX: 877.779.4567		HPV-1000
info@hland.com	www.heartlandsolutionsinc.com	



Heartland
SOLUTIONS, INC.



Part Description

Part Description	Material
Body	Brass
Poppet	Brass
O-Ring	Viton
Spring	Stainless Steel
Spring Retainer	Stainless Steel
Shield / Cap	Brass
Pull Ring	Stainless Steel

Operation

Cracking Pressure, 5 PSIG +/- 2 PSIG
 Reseal Pressure 3 PSIG +/- 2 PSIG
 Zero Leaking from Reseal Pressure
 to -8 PSIG
 Flow Rate, 35 SCFM @ 15 PSIG @
 70 degrees F

Fluid Compatibility

Mineral Oil

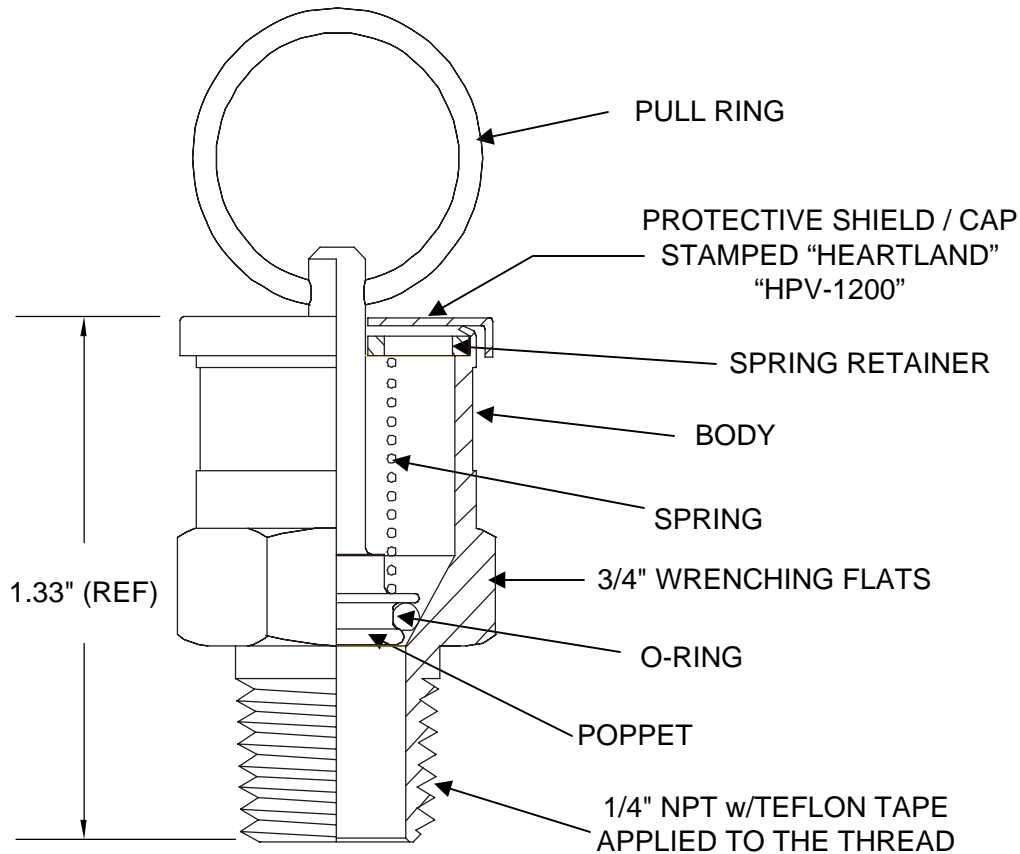


PROTECTIVE SHIELD / CAP

HPV-1005 1/4"-18 NPT PRESSURE RELIEF VALVE		REVISION 04
SCALE: NONE		REVISION DATE: 20 MAR 2009
HEARTLAND SOLUTIONS, INC.		DRAWING NO.
PH: 800.957.3493 FAX: 877.779.4567		HPV-1005
info@hland.com	www.heartlandsolutionsinc.com	



Heartland
SOLUTIONS, INC.



Part Description

Part Description	Material
Body	Brass
Poppet	Brass
O-Ring	Viton
Spring	Stainless Steel
Spring Retainer	Stainless Steel
Shield / Cap	Brass
Pull Ring	Stainless Steel

Operation

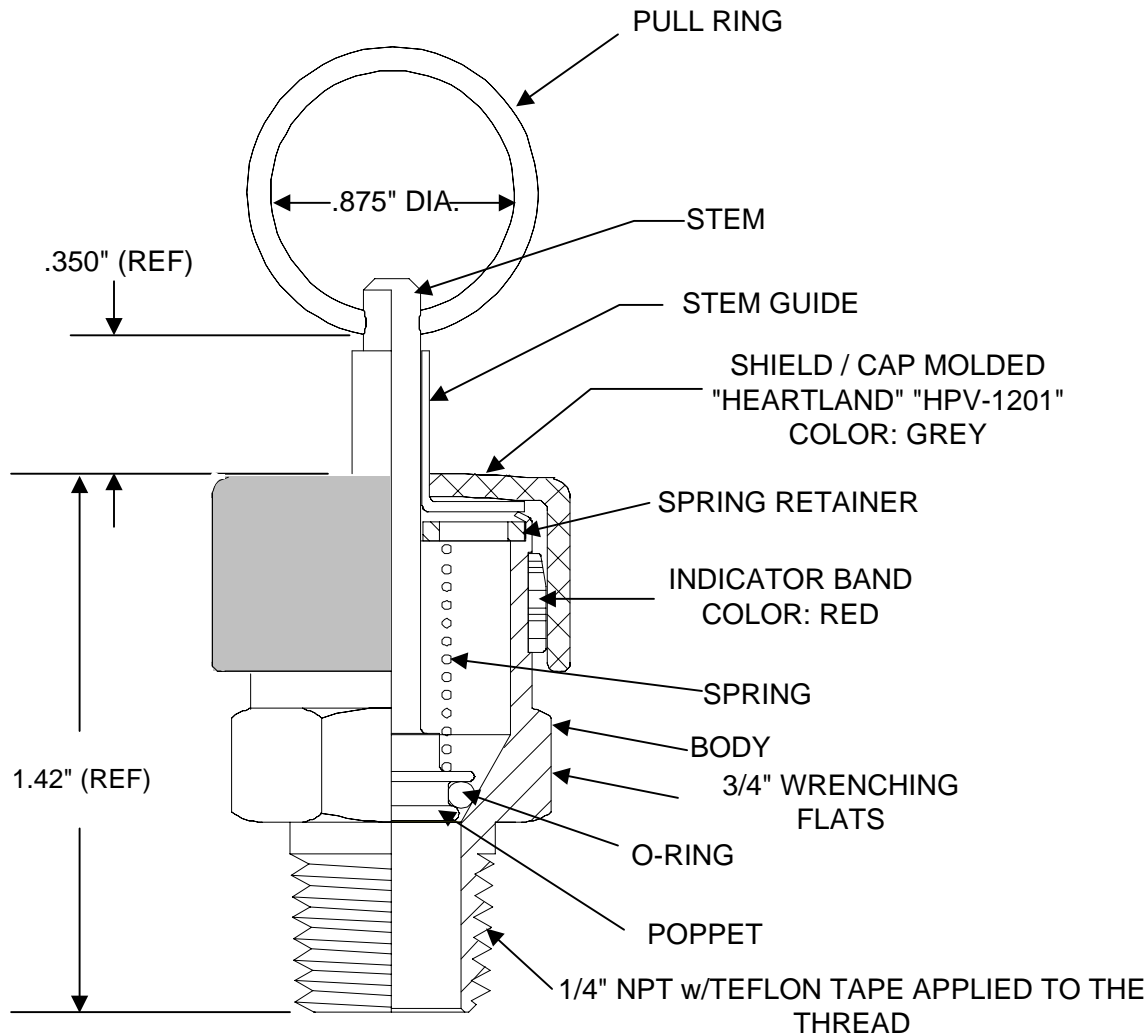
Cracking Pressure, 10 PSIG +/- 2 PSIG
 Reseal Pressure 8 PSIG +/- 2 PSIG
 Zero Leaking from Reseal Pressure
 to -8 PSIG
 Flow Rate, 50 SCFM @ 15 PSIG @
 70 degrees F

Fluid Compatibility

Mineral Oil



HPV-1200 1/4"-18 NPT PRESSURE RELIEF VALVE		REVISION 04
SCALE: NONE		REVISION DATE: 20 MAR 2009
HEARTLAND SOLUTIONS, INC.		DRAWING NO.
PH: 800.957.3493 FAX: 877.779.4567		HPV-1200
info@hland.com	www.heartlandsolutionsinc.com	



Part Description

Part Description	Material
Body	Brass
Poppet	Brass
O-Ring	Viton
Spring	Stainless Steel
Spring Retainer	Stainless Steel
Indicator	UV Resistant Red Vinyl
Shield / Cap	UV Resistant Grey Vinyl
Stem	Brass
Stem Guide	Brass
Pull Ring	Stainless Steel

Operation

Cracking Pressure, 10 PSIG +/- 2 PSIG
 Reseal Pressure 8 PSIG +/- 2 PSIG
 Zero Leaking from Reseal Pressure to -8 PSIG
 Flow Rate, 50 SCFM @ 15 PSIG @ 70 degrees F

Fluid Compatibility

Mineral Oil

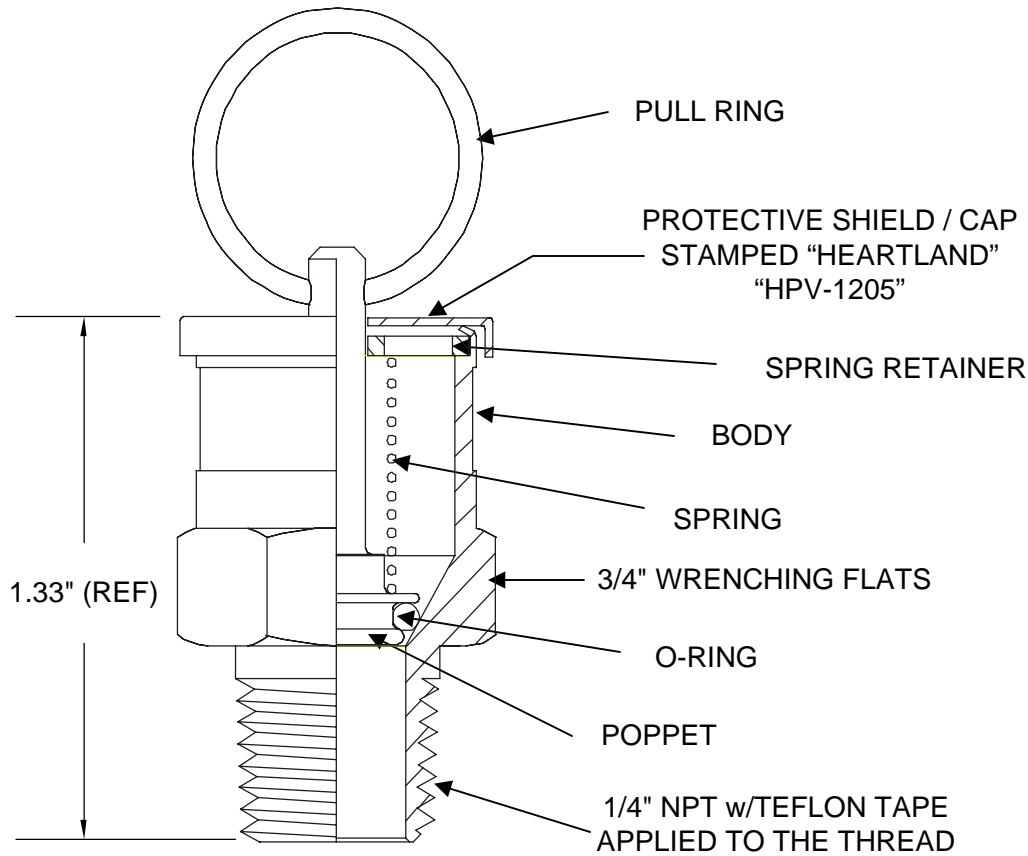


PROTECTIVE SHIELD / CAP

HPV-1201 1/4" - 18 NPT PRESSURE RELIEF VALVE		REVISION 04
SCALE: NONE		REVISION DATE: 20 MAR 2009
HEARTLAND SOLUTIONS, INC.		DRAWING NO.
PH: 800.957.3493 FAX: 877.779.4567		HPV-1201
info@hland.com	www.heartlandsolutionsinc.com	



Heartland
SOLUTIONS, INC.



Part Description

Part Description	Material
Body	Brass
Poppet	Brass
O-Ring	Viton
Spring	Stainless Steel
Spring Retainer	Stainless Steel
Shield / Cap	Brass
Pull Ring	Stainless Steel

Operation

Cracking Pressure, 5 PSIG +/- 2 PSIG
 Reseal Pressure 3 PSIG +/- 2 PSIG
 Zero Leaking from Reseal Pressure
 to -8 PSIG
 Flow Rate, 50 SCFM @ 15 PSIG @
 70 degrees F

Fluid Compatibility

Mineral Oil



HPV-1205 1/4"-18 NPT PRESSURE RELIEF VALVE		REVISION 01
SCALE: NONE		REVISION DATE: 12 MAR 2009
HEARTLAND SOLUTIONS, INC.		DRAWING NO.
PH: 800.957.3493 FAX: 877.779.4567		HPV-1205
info@hland.com	www.heartlandsolutionsinc.com	



SOLUTIONS, INC.

Part Description

Material

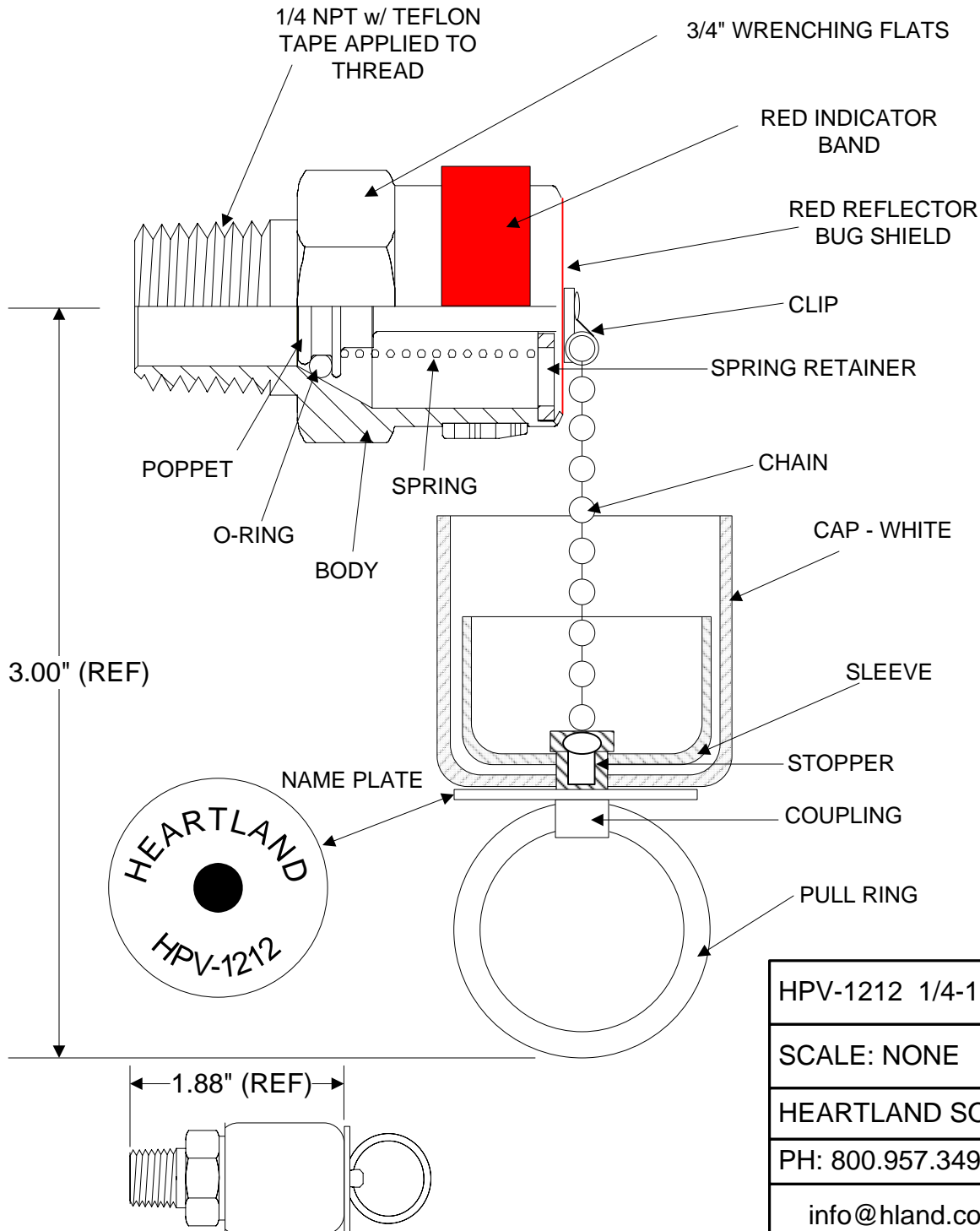
Body	Brass
Indicator	UV Resistant Red Vinyl
Shield	Aluminum Anodized Red
Poppet	Brass
O-Ring	Viton
Spring	Stainless Steel
Spring Retainer	Stainless Steel
Chain	Brass
Cap	UV Resistant White Vinyl
Sleeve	Polymer
Pull Ring	Stainless Steel
Name Plate	Brass
Clip	Stainless Steel
Coupling	Brass
Stopper	Brass

Operation

Cracking Pressure, 10 PSIG +/- 2 PSIG
 Reseal Pressure 8 PSIG +/- 2 PSIG
 Zero Leaking from Reseal Pressure to -8 PSIG
 Flow Rate, 50 SCFM @ 15 PSIG @ 70 degrees F

Fluid Compatibility

Mineral Oil



HPV-1212 1/4-18 NPT PRESSURE RELIEF VALVE		REVISION 03
SCALE: NONE		REVISION DATE: 20 MAR 2009
HEARTLAND SOLUTIONS, INC.		DRAWING NO.
PH: 800.957.3493 FAX: 877.779.4567		HPV-1212
info@hland.com	www.heartlandsolutionsinc.com	



SOLUTIONS, INC.

Part Description

Material

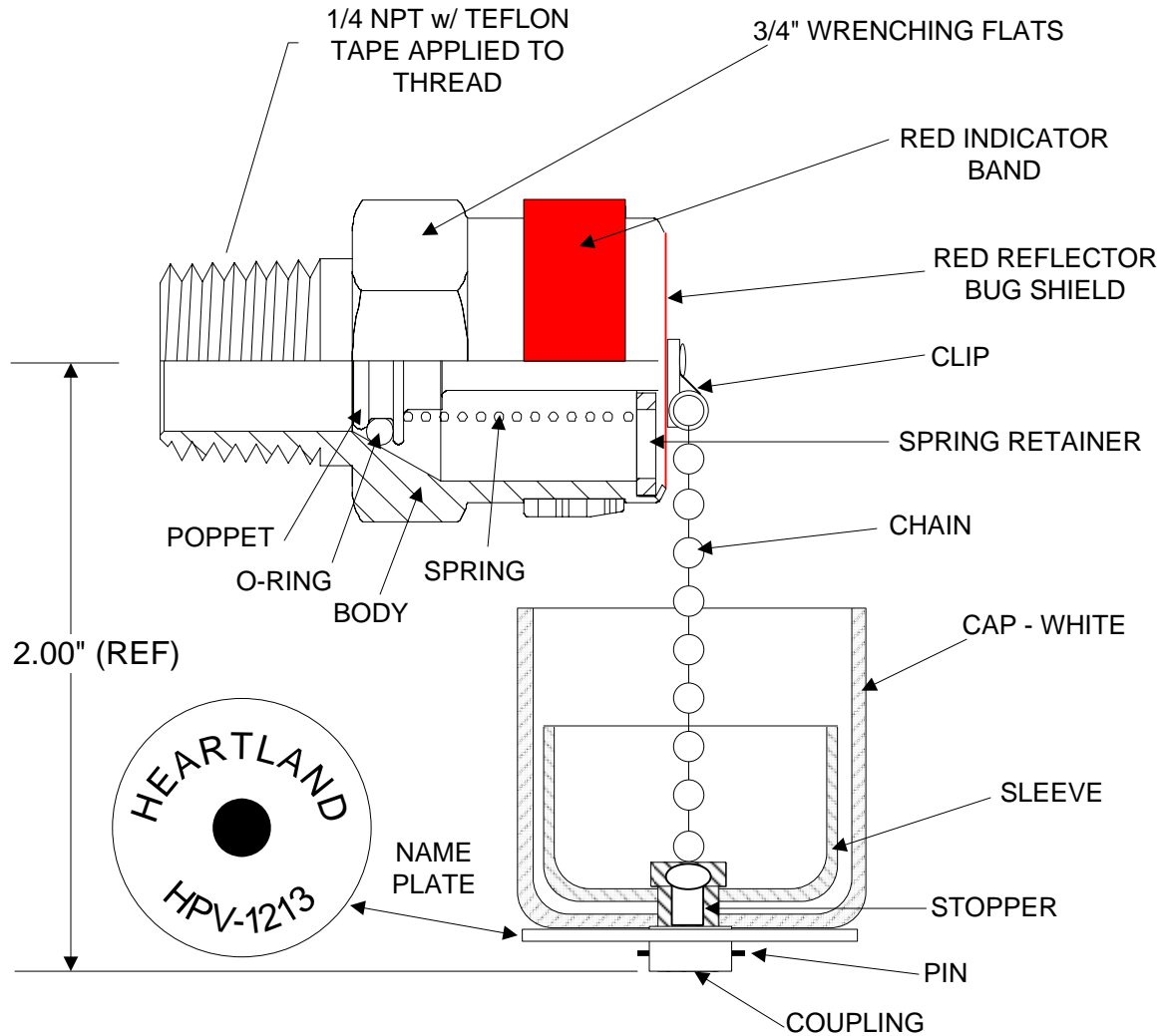
Body	Brass
Indicator	UV Resistant Red Vinyl
Shield	Aluminum Anodized Red
Poppet	Brass
O-Ring	Viton
Spring	Stainless Steel
Spring Retainer	Stainless Steel
Chain	Brass
Cap	UV Resistant White Vinyl
Sleeve	Polymer
Pin	Stainless Steel
Name Plate	Brass
Clip	Stainless Steel
Coupling	Brass
Stopper	Brass

Operation

Cracking Pressure, 10 PSIG +/- 2 PSIG
 Reseal Pressure 8 PSIG +/- 2 PSIG
 Zero Leaking from Reseal Pressure to -8 PSIG
 Flow Rate, 50 SCFM @ 15 PSIG @ 70 degrees F

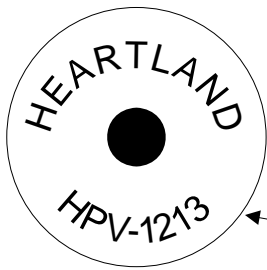
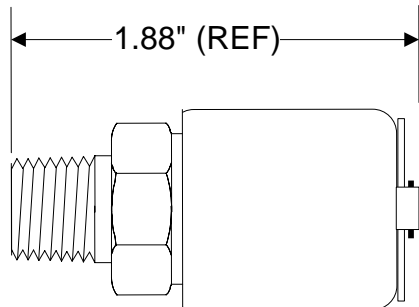
Fluid Compatibility

Mineral Oil



2.00" (REF)

1.88" (REF)



HPV-1213 1/4-18 NPT PRESSURE RELIEF VALVE		REVISION 03
SCALE: NONE		REVISION DATE: 27 MAR 2009
HEARTLAND SOLUTIONS, INC.		DRAWING NO.
PH: 800.957.3493 FAX: 877.779.4567		HPV-1213
info@hland.com		www.heartlandsolutionsinc.com



SOLUTIONS, INC.

Part Description

Material

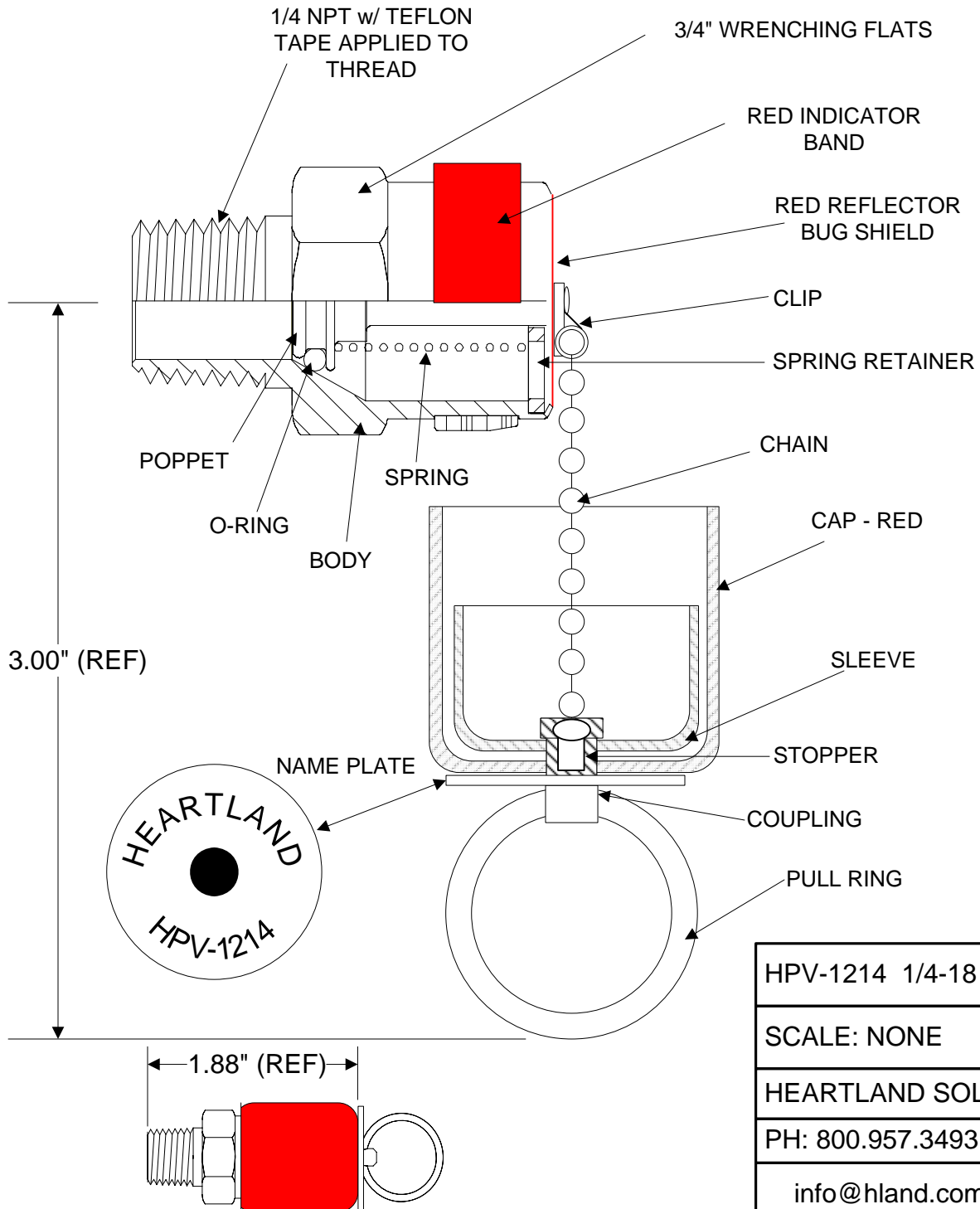
Body	Brass
Indicator	UV Resistant Red Vinyl
Shield	Aluminum Anodized Red
Poppet	Brass
O-Ring	Viton
Spring	Stainless Steel
Spring Retainer	Stainless Steel
Chain	Brass
Cap	UV Resistant Red Vinyl
Sleeve	Polymer
Pull Ring	Stainless Steel
Name Plate	Brass
Clip	Stainless Steel
Coupling	Brass
Stopper	Brass

Operation

Cracking Pressure, 10 PSIG +/- 2 PSIG
 Reseal Pressure 8 PSIG +/- 2 PSIG
 Zero Leaking from Reseal Pressure to -8 PSIG
 Flow Rate, 50 SCFM @ 15 PSIG @ 70 degrees F

Fluid Compatibility

Mineral Oil



HPV-1214 1/4-18 NPT PRESSURE RELIEF VALVE		REVISION 03
SCALE: NONE		REVISION DATE: 27 MAR 2009
HEARTLAND SOLUTIONS, INC.		DRAWING NO. HPV-1214
PH: 800.957.3493 FAX: 877.779.4567		
info@hland.com	www.heartlandsolutionsinc.com	



SOLUTIONS, INC.

Part Description

Material

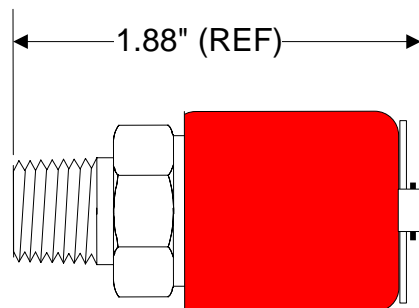
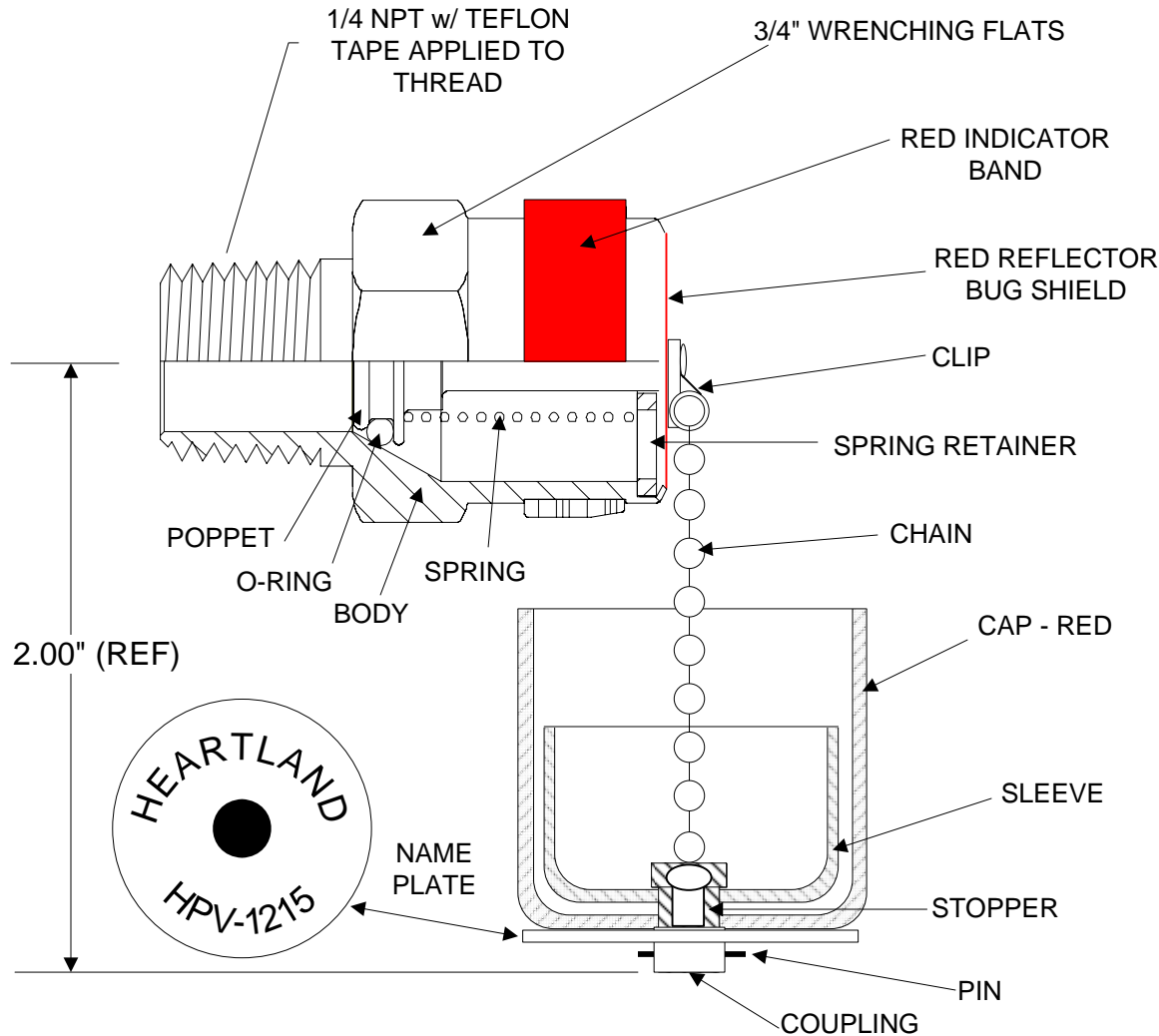
Body	Brass
Indicator	UV Resistant Red Vinyl
Shield	Aluminum Anodized Red
Poppet	Brass
O-Ring	Viton
Spring	Stainless Steel
Spring Retainer	Stainless Steel
Chain	Brass
Cap	UV Resistant Red Vinyl
Sleeve	Polymer
Pin	Stainless Steel
Name Plate	Brass
Clip	Stainless Steel
Coupling	Brass
Stopper	Brass

Operation

Cracking Pressure, 10 PSIG +/- 2 PSIG
 Reseal Pressure 8 PSIG +/- 2 PSIG
 Zero Leaking from Reseal Pressure to -8 PSIG
 Flow Rate, 50 SCFM @ 15 PSIG @ 70 degrees F

Fluid Compatibility

Mineral Oil

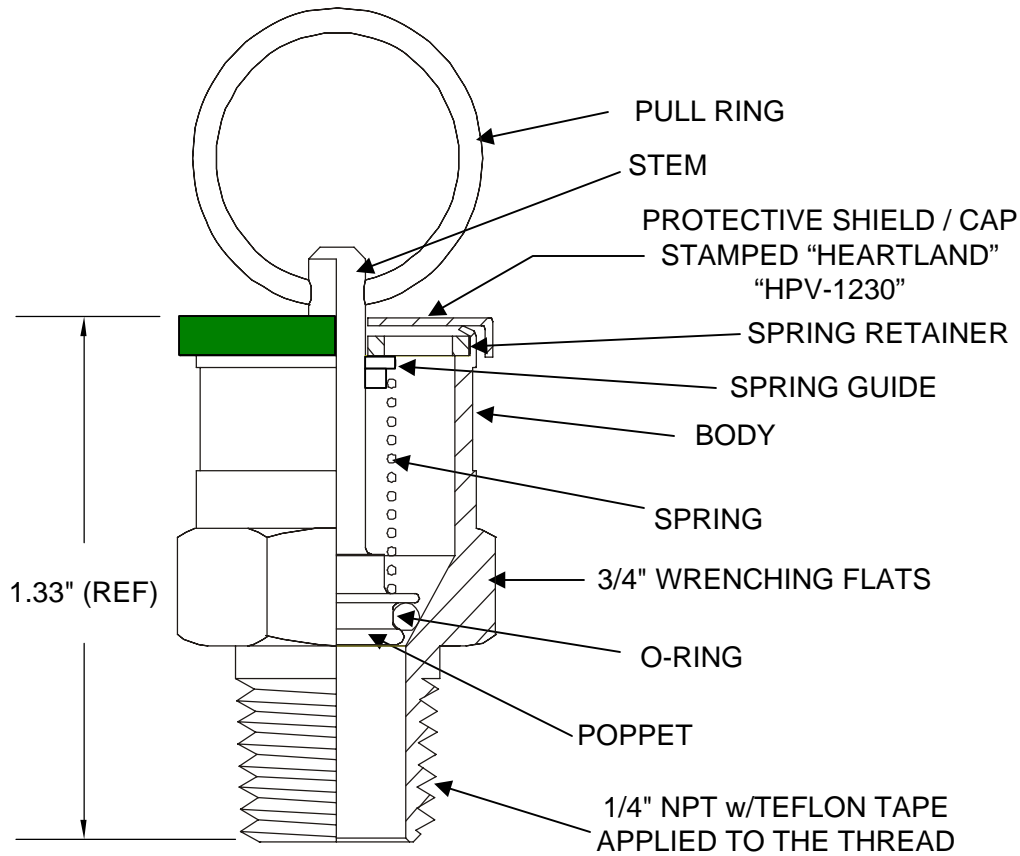


HPV-1215 1/4-18 NPT PRESSURE RELIEF VALVE		REVISION 03
SCALE: NONE		REVISION DATE: 27 MAR 2009
HEARTLAND SOLUTIONS, INC.		DRAWING NO.
PH: 800.957.3493 FAX: 877.779.4567		HPV-1215
info@hland.com	www.heartlandsolutionsinc.com	



Heartland

SOLUTIONS, INC.



Part Description

<u>Part Description</u>	<u>Material</u>
Body	Brass
Poppet	Brass
Stem	Brass
O-Ring	Viton
Spring	Stainless Steel
Spring Retainer	Stainless Steel
Spring Guide	Brass
Shield / Cap	Aluminum Anodized Green
Pull Ring	Stainless Steel
All Internal Parts	DuPont Krytox GL 205 Grease

Operation

Cracking Pressure, 10 PSIG +/- 2 PSIG
 Reseal Pressure 8 PSIG +/- 2 PSIG
 Zero Leaking from Reseal Pressure
 to -8 PSIG
 Flow Rate, 50 SCFM @ 15 PSIG @
 70 degrees F

Fluid Compatibility

Mineral Oil
 Cooper Envirotemp FR3

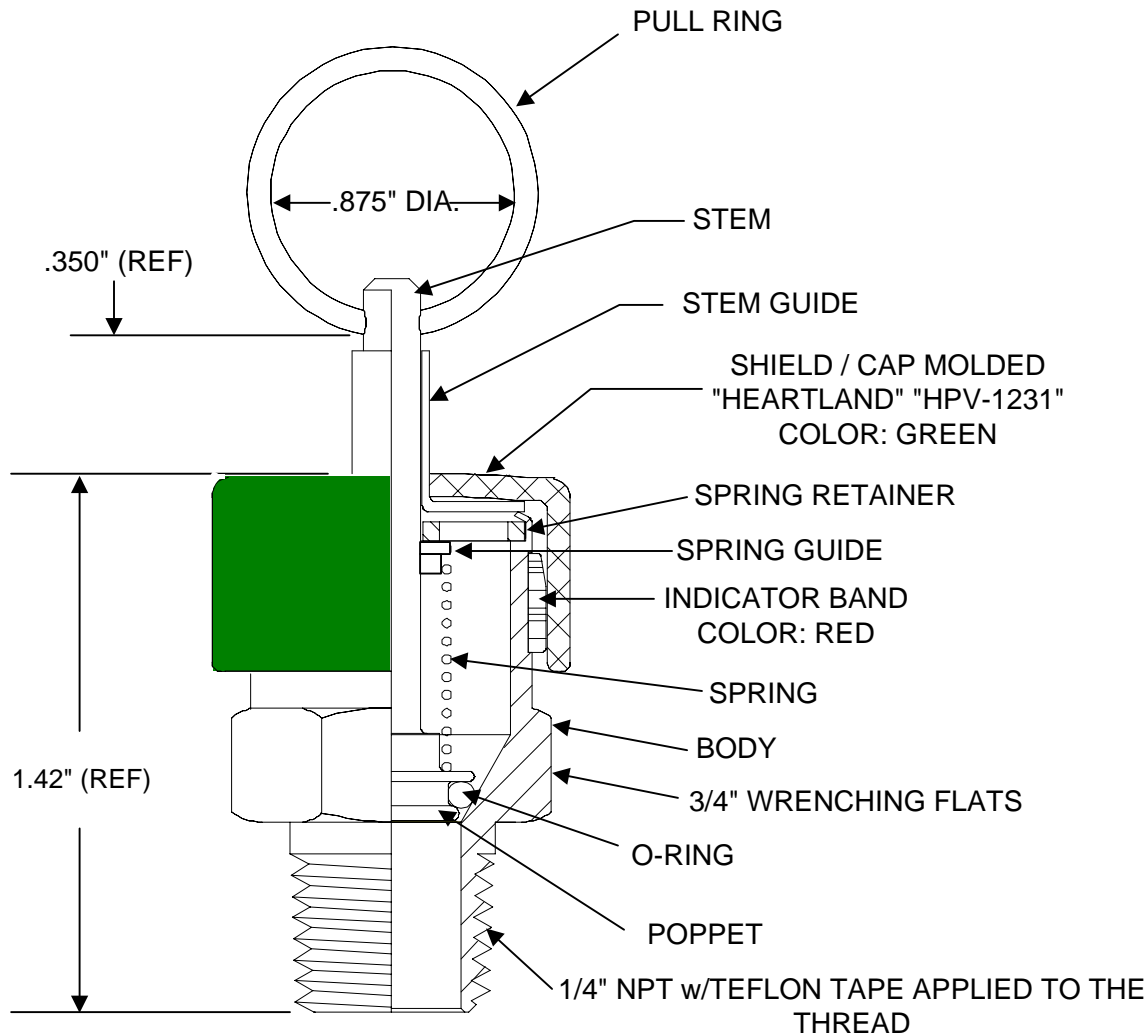


PROTECTIVE SHIELD / CAP

HPV-1230 1/4"-18 NPT PRESSURE RELIEF VALVE		REVISION 05
SCALE: NONE		REVISION DATE: 24 FEB 2010
HEARTLAND SOLUTIONS, INC.		DRAWING NO. HPV-1230
PH: 800.957.3493 FAX: 877.779.4567		
info@hland.com	www.heartlandsolutionsinc.com	



Heartland
SOLUTIONS, INC.



Part Description

Part Description	Material
Body	Brass
Indicator	UV Resistant Red Vinyl
Shield / Cap	UV Resistant Green Vinyl
Poppet	Brass
O-Ring	Viton
Spring	Stainless Steel
Spring Retainer	Stainless Steel
Spring Guide	Brass
Stem	Brass
Stem Guide	Brass
Pull Ring	Stainless Steel
All Internal Parts	DuPont Krytox GL 205 Grease

Operation

Cracking Pressure, 10 PSIG +/- 2 PSIG
 Reseal Pressure 8 PSIG +/- 2 PSIG
 Zero Leaking from Reseal Pressure to -8 PSIG
 Flow Rate, 50 SCFM @ 15 PSIG @ 70 degrees F

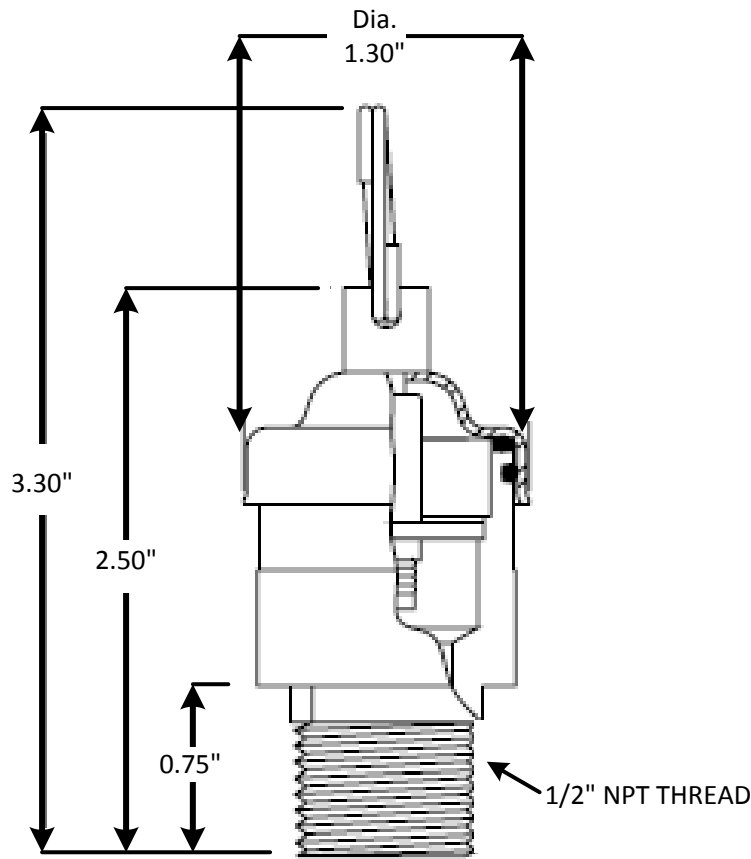
Fluid Compatibility

Mineral Oil
 Cooper Envirotemp FR3



PROTECTIVE SHIELD / CAP

HPV-1231 1/4" - 18 NPT PRESSURE RELIEF VALVE		REVISION 04
SCALE: NONE		REVISION DATE: 27 MAR 2009
HEARTLAND SOLUTIONS, INC.		DRAWING NO.
PH: 800.957.3493 FAX: 877.779.4567		HPV-1231
info@hland.com	www.heartlandsolutionsinc.com	



<u>Part Description</u>	<u>Material</u>
Body	Stainless Steel
Poppet	Stainless Steel
O-Ring	Viton
Spring	Stainless Steel
Spring Retainer	Stainless Steel
Shield / Cap	Stainless Steel
Stem	Stainless Steel
Pull Ring	Stainless Steel

Operation
 Cracking Pressure, 10 PSIG +/- 2 PSIG
 Reseal Pressure 8 PSIG +/- 2 PSIG
 Zero Leaking from Reseal Pressure to -8 PSIG
 Flow Rate, 50 SCFM @ 15 PSIG @ 70 degrees F

Fluid Compatibility
 Mineral Oil

HPV-1400 1/2" - 14 NPT PRESSURE RELIEF VALVE		REVISION 06
SCALE: NONE		REVISION DATE: 20 MAR 2009
HEARTLAND SOLUTIONS, INC.		DRAWING NO.
PH: 800.957.3493 FAX: 877.779.4567		HPV-1400
info@hland.com	www.heartlandsolutionsinc.com	