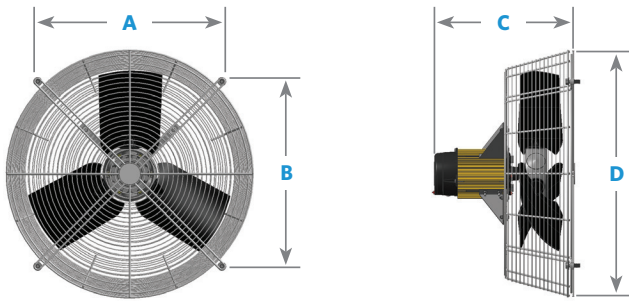


26" Transformer Cooling Fans Low Noise

The engineered solution to transformer cooling.
More Air • Better Cooling • Longer Life



	A	B	C	D
26" Fan	23" (584mm)	23" (584mm)	17.15" (435.7mm)	31" (787mm)
Note: 16", 18", 24", 27" guards are 6-3/8" deep, 26" Low Noise guard is 8-1/2" deep				
Shipping Weight: 45 lbs.			Shipping Dimensions: 17" x 29" x 29"	

Low amp draw

- Low ampere draw means a motor that is operating under less load and less electrical stress. This will prolong the motor Life and ensure many years of uninterrupted service

Superior air flow

- Certified air flow results tested to AMCA Standards 230 for fan thrust, AMCA 230-99 for calculated CFM
- Manufactured not assembled Blade and Motor Combination
- Forward or reverse airflow options
- High cubic feet per minute of air delivery minimizes the stress on transformer coils and provides more cooling air during peak load times

Engineered for outdoor application

- Unique, locking, labyrinth design between motor housing and impeller guard against moisture entry in the harshest of outdoor applications of high heat and humidity
- IP55 rated and UL 507-39 wash down ready
- UV Stabilized

Superior class F insulation system for longer motor life

- Ambient Temperature Range -13°F/-25°C and 131°F/55°C
- Aluminum housing for excellent heat dissipation
- Thermally Protected, single phase standard, three phase optional
- Rated severe duty, TEAO
- Sealed ball bearing in front and rear
- Poly Blades require less torque at start up and reduced in-rush current duration

Engineered for the world wide transformer industry

- 50 or 60Hz
- Hot dipped Galvanized OSHA guards
- Standard, Header, Yoke and NEMA frame mounting options
- Conventional and quick connect cord sets

Backed by a 3 Year Warranty on motor impeller and parts and a 1 Year Warranty on manufacture of grill.

Part Number	Impeller Diameter [in]	HP	Phases	Freq. [Hz]	CFM	Voltage	Noise Level [dBA]@6ft	RPM	Running Current [A]	Starting Current [A]	PF	CFM per watt
PCK26-1/240/60	26	1/6	1	60	5300	208-240 †	51	555	1.1	1.5	0.90	24
PCI26-1/240/60	26	1/2	1	60	7200	208-240 †	63	865	1.9	3.2	1.00	16
PCL26-1/230/50	26	1/8	1	50	4600	230	46	470	1.0	1.6	0.73	27
PCJ26-1/230/50	26	1/3	1	50	6050	230	58	725	1.4	3.7	0.89	21
PCG26-3/460/60	26	1/5	3	60	5180	460	53	560	0.7	1.2	0.44	24
PCI26-3/460/60	26	1/2	3	60	7560	460	63	860	1.0	2.9	0.60	17
PCH26-3/400/50	26	1/6	3	50	4360	400	48	480	0.7	1.2	0.38	26
PCJ26-3/400/50	26	1/3	3	50	6300	400	58	720	0.9	2.7	0.49	22
PCG26-3/230/60	26	1/5	3	60	5030	230	51	550	1.0	1.8	0.50	25
PCI26-3/230/60	26	1/2	3	60	7330	230	63	840	1.7	4.2	0.67	17
PCH26-3/230/50	26	1/6	3	50	4360	230	48	480	1.1	2.1	0.38	26
PCJ26-3/230/50	26	1/3	3	50	6300	230	58	720	1.5	4.8	0.49	22

† NAMEPLATE IS LABELED 240V

**OPERATION VOLTAGE +/- 10% OF THE RATED VOLTAGE.

REV 12/1/2020