

# 200 A 15 kV class loadbreak elbow connector with optional integral jacket seal



## General

Eaton's Cooper Power™ series loadbreak elbow connector is a fully-shielded and insulated plug-in termination for connecting underground cable to transformers, switching cabinets and junctions equipped with loadbreak bushings. The elbow connector and bushing insert comprise the essential components of all loadbreak connections. The loadbreak elbow connector is a fully rated 200 A switching device, designed in accordance to IEEE Std 386™-2006 standard.

Eaton's loadbreak elbows are molded using high quality peroxide-cured insulating and semi-conducting EPDM rubber. Standard features include a coppertop connector, tin-plated copper loadbreak probe with an ablative arc-follower tip and stainless steel reinforced pulling-eye. An optional capacitive test point, made of corrosion resistant plastic, is available for use with fault indicators (see Catalog Sections CA320002EN and CA320003EN).

Cable ranges are designed to accept a wide range of cable conductor and insulation sizes with just three elbows and accommodate cable manufactured to either AEIC or ICEA standards.

The coppertop compression connector is a standard item to transition from the cable to the loadbreak probe. An aluminum crimp barrel is inertia-welded to a copper lug. The aluminum barrel makes the connector easy to crimp and the copper lug ensures a reliable, tight, cool operating connection with the loadbreak probe.

(Photo on left is shown with the integral jacket seal without test point. Photo on right is shown without jacket seal with test point.)

## Optional integral jacket seal

The optional integral jacket seal provides a quick and easy means to sealing the cable jacket to prevent moisture ingress. Our jacket seal is molded to the loadbreak elbow eliminating the need for separate cable sealing products. It's available with braided ground strap/bleeder wire for terminating Tape shielded cable. (See Figure 4.)

**EAT•N**

Powering Business Worldwide

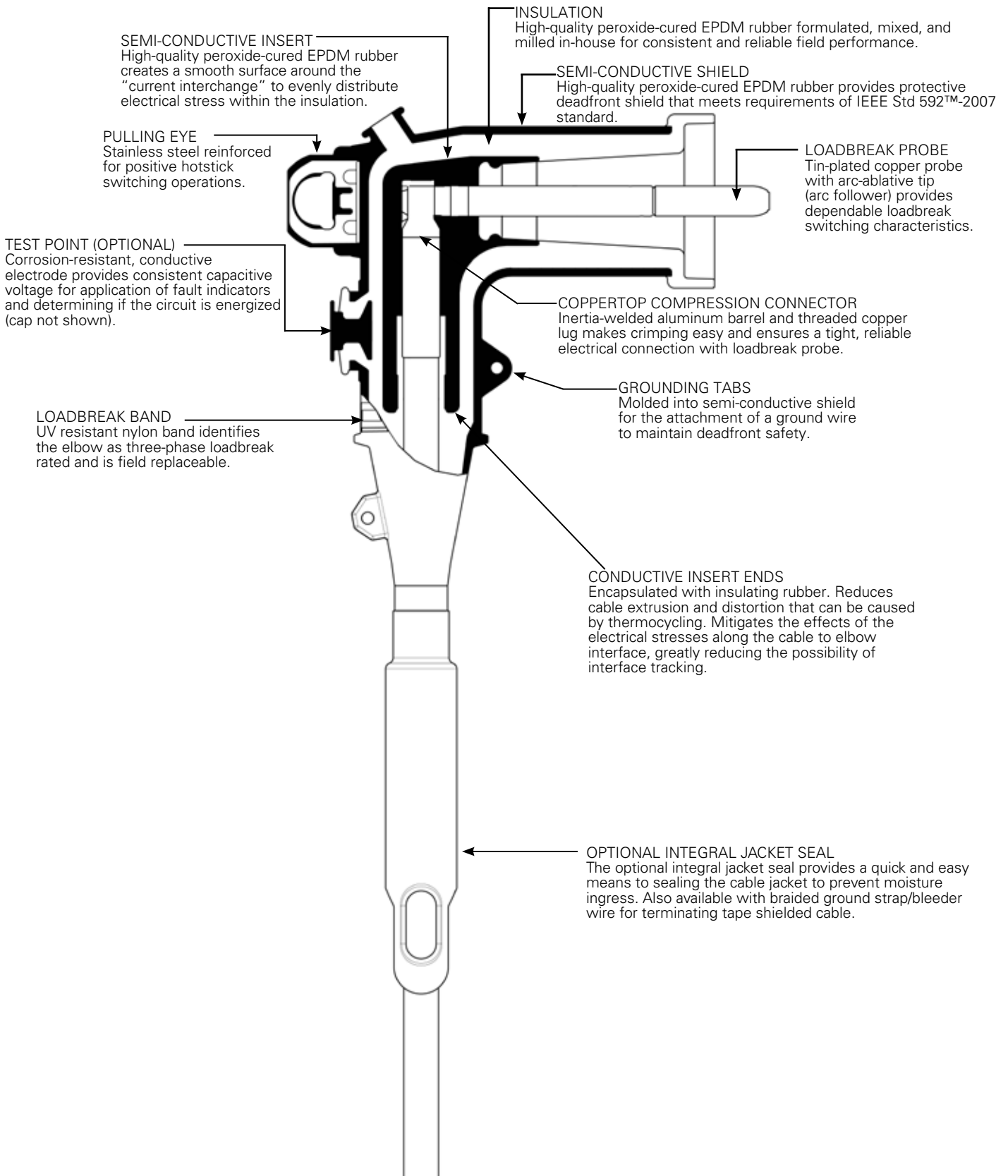
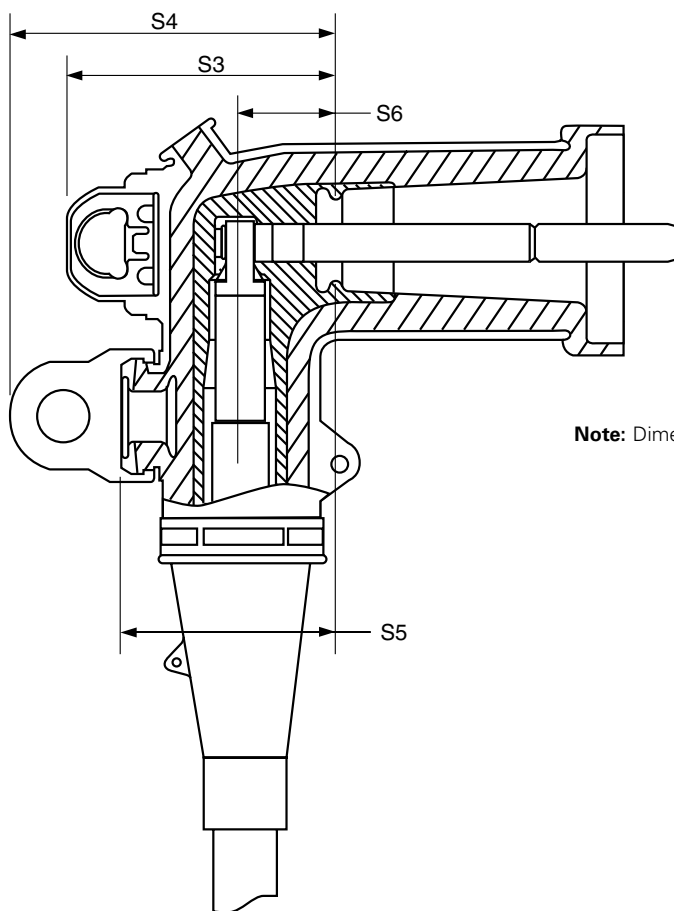


Figure 1. Cutaway drawing shows design detail.



S Dim.	15 kV
S3	3.4" (86 mm)
S4	4.2" (106 mm)
S5	2.7" (68 mm)
S6	1.2" (30 mm)

**Note:** Dimensions given are for reference only.

**Figure 2.** Elbow profile and stacking dimensions as referenced in IEEE Std 386™-2006 standard.

## Installation

Cable stripping and scoring tools, available from various tool manufacturers, are recommended for use when installing loadbreak elbows. After preparing the cable, the elbow housing is pushed onto the cable. The loadbreak probe is threaded into the coppertop connector using the supplied installation tool or an approved equivalent. Use a hotstick to perform loadmake and loadbreak operations. Refer to Installation Sheet S500-10-7 for details.

## Production tests

Tests conducted in accordance with IEEE Std 386™-2006 standard:

- ac 60 Hz 1 Minute Withstand
  - 34 kV
- Minimum Corona Voltage Level
  - 11 kV
- Test Point Voltage Test

Tests conducted in accordance with Eaton requirements:

- Physical Inspection
- Periodic Dissection
- Periodic Fluoroscopic Analysis

**Table 1. Voltage Ratings and Characteristics**

Description	kV
Standard Voltage Class	15
Maximum Rating Phase-to-Phase	14.4
Maximum Rating Phase-to-Ground	8.3
ac 60 Hz 1 Minute Withstand	34
dc 15 Minute Withstand	53
BIL and Full Wave Crest	95
Minimum Corona Voltage Level	11

Voltage ratings and characteristics are in accordance with IEEE Std 386™-2006 standard.

**Table 2. Current Ratings and Characteristics**

Description	Amperes
Continuous	200 A rms
Switching	10 operations at 200 A rms at 14.4 kV
Fault Closure	10,000 A rms symmetrical at 14.4 kV for 0.17 s after 10 switching operations
Short Time	10,000 A rms symmetrical for 0.17 s 3,500 A rms symmetrical for 3.0 s

Current ratings and characteristics are in accordance with IEEE Std 386™-2006 standard.

### Ordering information

The elbow kits are packaged in a heavy duty polyethylene bag. There are 20 bagged kits to a carton. Individual boxed kits are also available by special part number. To order a 15 kV Class loadbreak elbow kit follow the easy steps below.

Each kit contains:

- Standard Elbow Body or Elbow Body with Jacket Seal
- Coppertop Compression Connector
- Loadbreak Probe
- Probe Installation Tool
- Silicone Lubricant
- Mastic Strips (**Jacket Seal Elbow Only**)
- Installation Instruction Sheet

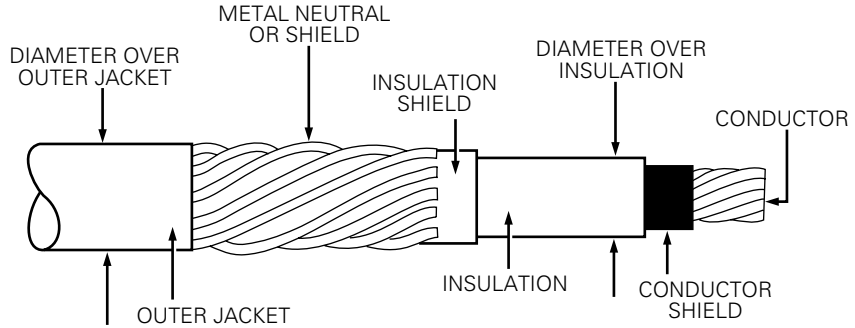


Figure 3. Illustration showing typical construction of high voltage underground cable.

**STEP 1:** Determine the cable's diameter over the electrical insulation as shown in Figure 3 (including tolerances) from cable manufacturer. Then identify a cable range from Table 3 that brackets the minimum and maximum insulation diameters. Select the CABLE RANGE CODE from the far right column.

**STEP 2:** Identify the conductor size and type in Table 4 and select the CONDUCTOR CODE from the far right column.

**STEP 3:** For an elbow kit with a capacitive test point order:

**LE215**

CABLE RANGE CODE
------------------

CONDUCTOR CODE
----------------

**T**

For an integral jacket seal elbow kit with a capacitive test point order:

**LEJ215**

CABLE RANGE CODE
------------------

CONDUCTOR CODE
----------------

**T**

For an elbow kit without a capacitive test point order:

**LE215**

CABLE RANGE CODE
------------------

CONDUCTOR CODE
----------------

For an integral jacket seal elbow kit without a capacitive test point order:

**LEJ215**

CABLE RANGE CODE
------------------

CONDUCTOR CODE
----------------

For an elbow kit without a compression connector, use "00" for the conductor code.

For an elbow kit with a hold down bail assembly included, insert a "B" after the test point option code.

**Step 4:** For optional braided ground strap/bleeder wire for terminating tape shielded cable, insert "GS" after test point and/or bail option code. (**Integral Jacket Seal Elbow Only**)

**Step 5:** (Optional) For an elbow kit individually packaged in a corrugated cardboard box, insert an "X" as the last character in the part number.

Table 3. Cable Range Code (Insulation Diameter) for Loadbreak Elbow

Inches	Millimeters	Cable Range Code
0.495" - 0.585"	12.6 - 14.9	CCA*
0.575" - 0.685"	14.6 - 17.4	CCB*
0.610" - 0.970"	15.5 - 24.6	AB
0.750" - 1.080"	19.1 - 27.4	CC
0.890" - 1.220"	22.6 - 30.0	DD

\* Uses 5 kV cable adapter.

(For use with "CC" range elbow only.)

**Table 4. Conductor Size and Type**

Class B Stranded or Compressed		Compact or Solid		Conductor Code
AWG	mm <sup>2</sup>	AWG	mm <sup>2</sup>	
No Connector				<b>00</b>
#6	16	#4	–	<b>01</b>
#4	–	#3	25	<b>02</b>
#3	25	#2	35	<b>03</b>
#2	35	#1	–	<b>04</b>
#1	–	1/0	50	<b>05</b>
1/0	50	2/0	70	<b>06</b>
2/0	70	3/0	–	<b>07</b>
3/0	–	4/0	95	<b>08</b>
4/0	95	250	120	<b>09</b>
250*	120	300	–	<b>10</b>

\* Compressed stranding only.

**EXAMPLE:** Select an integral jacket seal elbow kit with a capacitive test point for use on a #1 compact cable with a minimum insulation diameter of 0.770" and a maximum diameter of 0.830".

**STEP 1:** From Table 3, identify the cable range 0.750"—1.080" and select the "**CC**" CABLE RANGE CODE.

**STEP 2:** The conductor size is a #1 and the type is compact.

From Table 4, under the column "Compact or Solid" identify #1 and select the "**04**" conductor code.

**STEP 3:** Order catalog number.

**LEJ215CC04T**

**Table 5. Replacement 2.88" Long Coppertop Connectors**

Conductor Size				
Concentric or Compressed		Compact or Solid		Catalog Number
AWG	mm <sup>2</sup>	AWG	mm <sup>2</sup>	
#6	16	#4	–	CC2C01T
#4	–	#3	25	CC2C02T
#3	25	#2	35	CC2C03T
#2	35	#1	–	CC2C04T
#1	–	1/0	50	CC2C05T
1/0	50	2/0	70	CC2C06T
2/0	70	3/0	–	CC2C07T
3/0	–	4/0	95	CC2C08T
4/0	96	250	120	CC2C09T
250*	120	300	–	CC2C10T

\* Compressed stranding only.

**Note:** Coppertop compression connector may be used on both aluminum and copper cable conductors.

**Accessories**



**Figure 4. Braided ground strap accessories (see Table 6).**



**Figure 5. 5 kV cable adapter (see Table 6).**

**Table 6. Replacement Parts**

Description	Catalog Number
Hold Down Bail Assembly	2638351C01B
5 kV Cable Adapter (for use with "C" Elbow size only), .495" — .585" .575" — .685"	CA225A CA225B
Loadbreak Band (package of 25)	2639139B01B
Probe Kit (includes Probe, Installation Tool, Silicone Lubricant, Installation Instruction Sheet)	PK215
Loadbreak Probe Installation Tool	2602733A01
Loadbreak Probe Only	2637552C03
Silicone Grease 0.175 oz tube (5 grams) 5.3 oz tube (150 grams)	2603393A03 2605670A02M
Includes Ground Braid, Constant Force Spring and Mastic	GRDBRAIDKIT



**Figure 6. Optional bail assembly (see Table 6).**

This page intentionally left blank.

**Eaton**  
1000 Eaton Boulevard  
Cleveland, OH 44122  
United States  
Eaton.com

**Eaton's Cooper Power Systems Division**  
2300 Badger Drive  
Waukesha, WI 53188  
United States  
Eaton.com/cooperpowerseries

© 2015 Eaton  
All Rights Reserved  
Printed in USA  
Publication No. CA650062EN

Eaton, and Cooper Power are valuable trademarks of Eaton in the U.S. and other countries. You are not permitted to use these trademarks without the prior written consent of Eaton.  
IEEE Std 386™-2006 and Std 592™-2007 standards are trademarks of the Institute of Electrical and Electronics Engineers, Inc., (IEEE). This publication is not endorsed or approved by the IEEE.

For Eaton's Cooper Power series loadbreak elbow connector product information call 1-877-277-4636 or visit:  
[www.eaton.com/cooperpowerseries](http://www.eaton.com/cooperpowerseries).