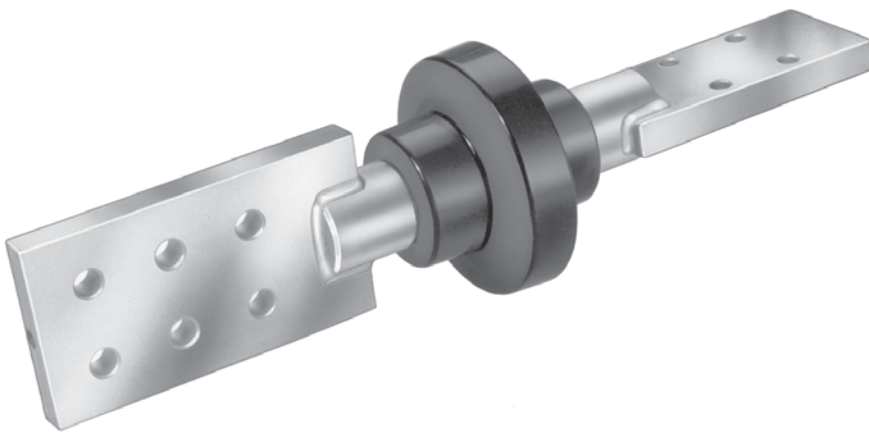


4500 A 1.2 kV class external spade/90° internal spade secondary bushings



General

Eaton's Cooper Power™ series 4500 A copper external spade/90° internal spade secondary bushings are used for connecting cables outside the tank of pad-mounted transformers to the secondary coil winding leads inside the tank. They are designed for use in transformer oil, Envirotemp™ FR3™ fluid or an approved equivalent. They are externally clamped for sidewall mounting through a 3.06-inch diameter hole. Internal spade holes are NEMA® spaced for two hole lugs or for adapter pad connections.

All metallic parts of the bushing are tin plated for more efficient current interchange. The sealing gasket is contained by the molded body for controlled compression, ensuring an effective seal. The bushing clamp is made of an aluminum alloy to provide strength for maintaining even gasket pressure under heavy loads. All bushings are supplied with a threaded support bracket hole on the end of the external spade.

Installation

Four clamping studs must be welded around the bushing hole. The gasket is installed over the bushing shank onto the gasket surface. The bushing is then inserted through the tank hole and the bushing clamp placed over the welded tank studs. A plated lock washer and nut are installed onto each stud and tightened. The internal secondary transformer leads are connected to the internal spade. Refer to *Service Information S800-16-1 1.2 kV Class Secondary Bushing Installation Instructions* for details.

EAT•N

Powering Business Worldwide

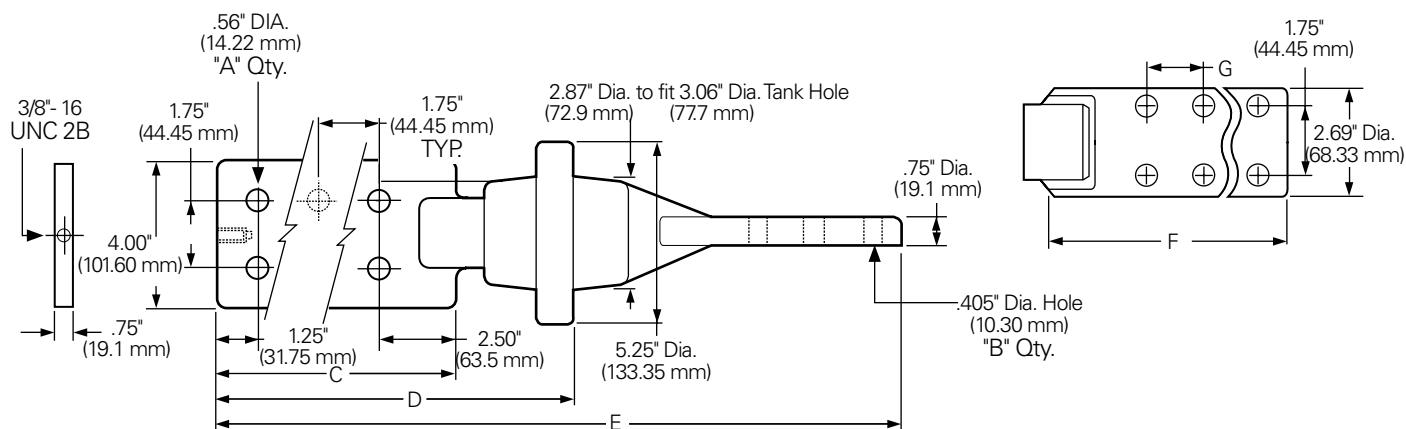


Figure 1. 4500 A External Spade/90° Internal Spade Secondary Bushing.

Note: Dimensions given are for reference only.

Table 1. Voltage Ratings and Characteristics

Description	kV
Standard Voltage Class	1.2-2.5
AC 60 Hz 1 Minute Withstand	15
BIL and Full Wave Crest	45

Table 2. Current Ratings and Characteristics

Description	Amperes
Copper Bushing	4500 A rms

Current ratings and characteristics are in accordance with IEEE Std C57.12™ standard.

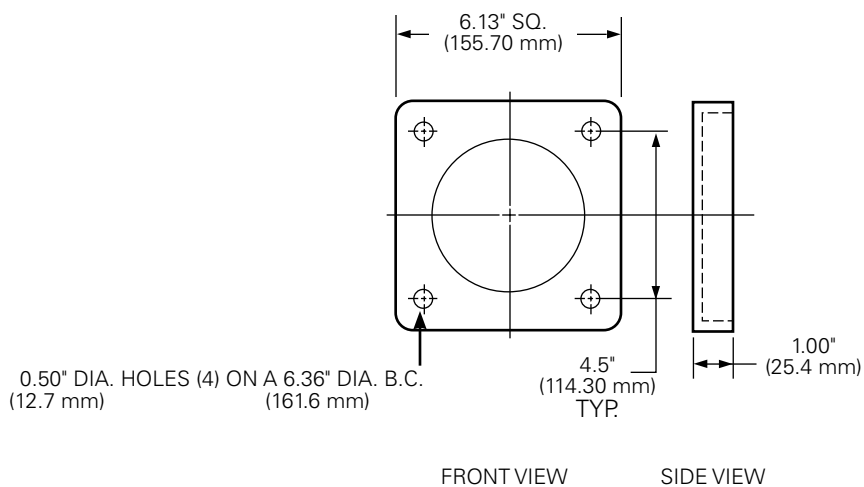


Figure 2. Clamp.

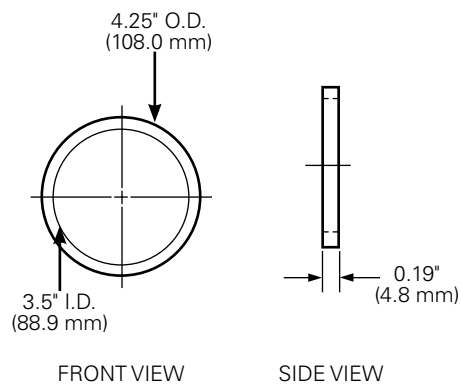


Figure 3. Gasket.

Note: Dimensions given are for reference only.

Ordering information

4500 A secondary bushing-inline

To order a 4500 A secondary bushing, specify the catalog number as listed in Table 3. (Gasket and clamp must be ordered separately, see Table 4.)

Table 3. Secondary Bushing Dimensional Information - Inline

Quantity of Holes							Catalog Number
A	B	C	D	E	F	G	
6	4	7.25	10.76	19.23	6.00	1.75	2690095D01
		(184.15)	(273.30)	(488.44)	(152.40)	(44.45)	
8	4	9.00	12.51	20.98	6.00	1.75	2690095D04
		(228.6)	(317.75)	(532.89)	(152.40)	(44.45)	
10	4	10.75	14.26	22.73	6.00	1.75	2690095D07
		(273.05)	(362.20)	(577.34)	(152.40)	(44.45)	
12	4	12.50	16.01	24.48	6.00	1.75	2690095D10
		(317.50)	(406.65)	(621.79)	(152.40)	(44.45)	

Table 4. Accessories

Description	Catalog Number
Clamp	2625031B01
Gasket	0537980C13

Eaton
1000 Eaton Boulevard
Cleveland, OH 44122
United States
Eaton.com

Eaton's Cooper Power Systems Division
2300 Badger Drive
Waukesha, WI 53188
United States
Eaton.com/cooperpowerseries

© 2015 Eaton
All Rights Reserved
Printed in USA
Publication No. CA800012EN

Eaton is a registered trademark.
All other trademarks are property
of their respective owners.

For Eaton's Cooper Power series secondary
bushings product information call
1-877-277-4636 or visit:
www.eaton.com/cooperpowerseries.