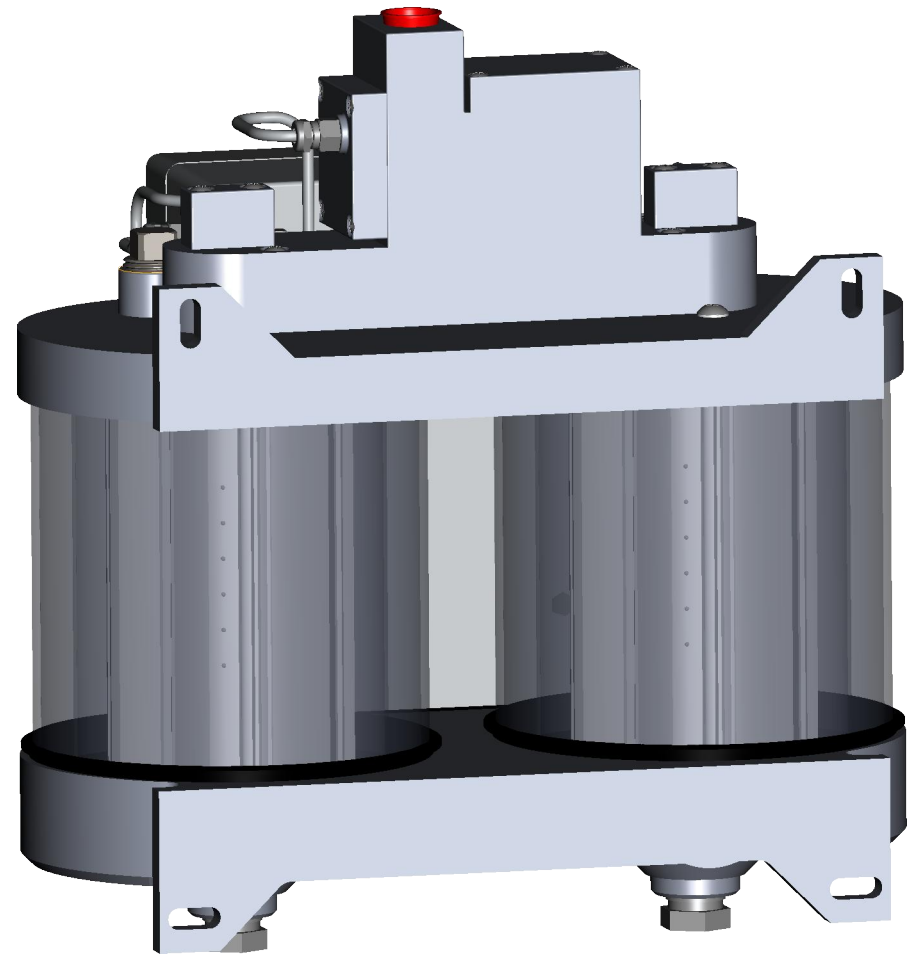




Dual Column Breather (DCB)

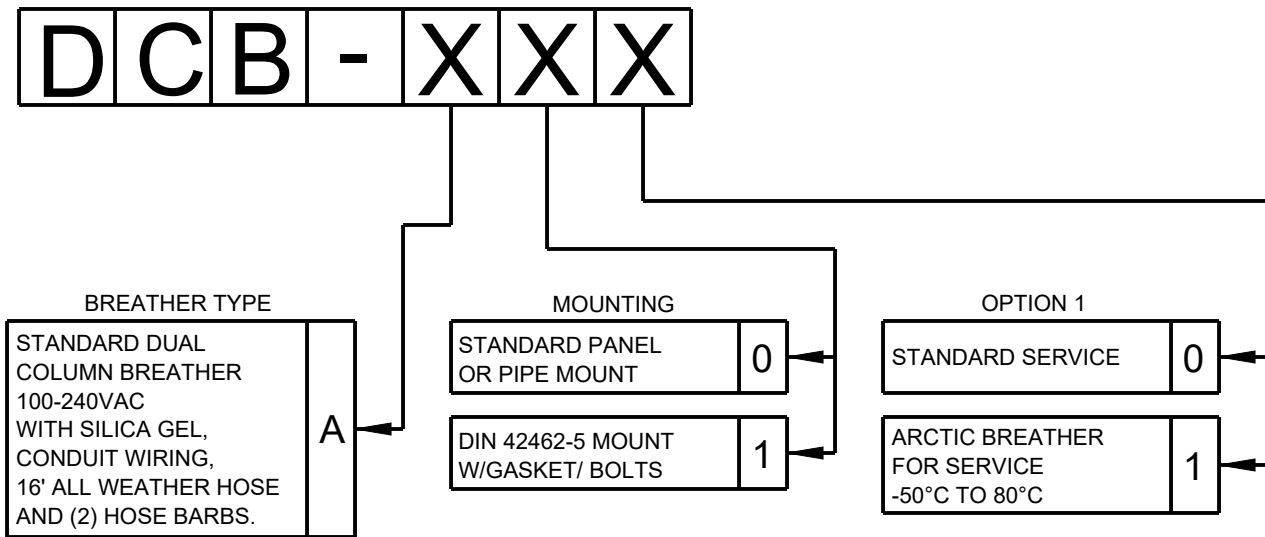




DUAL COLUMN BREATHER OVERVIEW

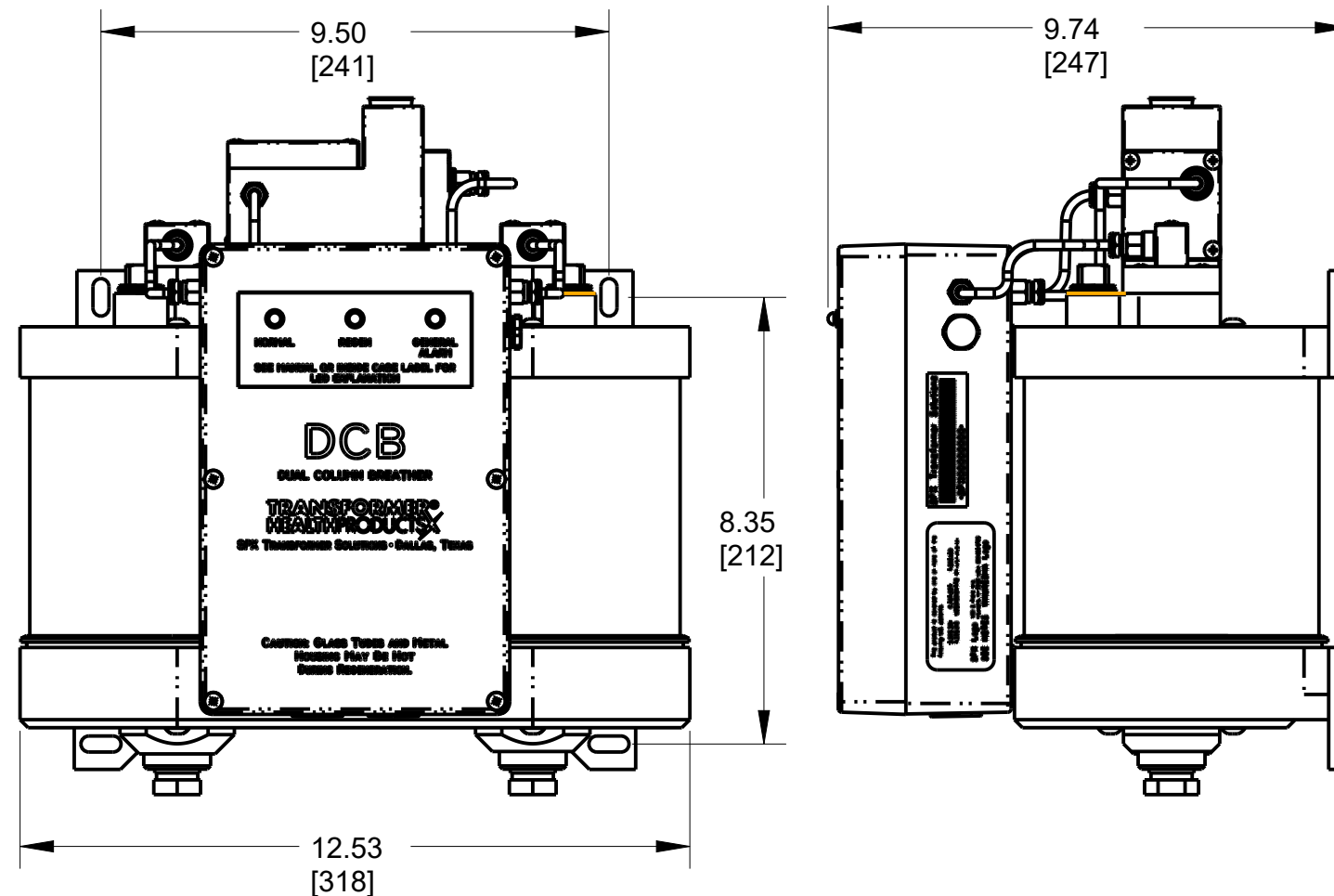
REVISIONS				
LTR	REVISION	DATE	APPROVAL	
A	1) NEW DRAWING PER DRC# 080118A	8/1/2018	AM	JP
B	1) REF. DCB TO MFDB CONT. BOX PER ECR# 180816B	8/16/2018	AM	JP

DUAL COLUMN REGENERATING DEHYDRATING BREATHER



USE DUAL COLUMN REGENERATING DEHYDRATING BREATHER (DCB) CONFIGURATION FOR PART NUMBER DESIGNATION AND ENTER PART NUMBER IN THE QUOTE CART FIELD
"Company Name/Config. Part No."

FOR MORE INFORMATION ON THE [DCB] OR TO DOWNLOAD A BROCHURE OFF OUR WEBSITE, PLEASE [CLICK HERE](#).

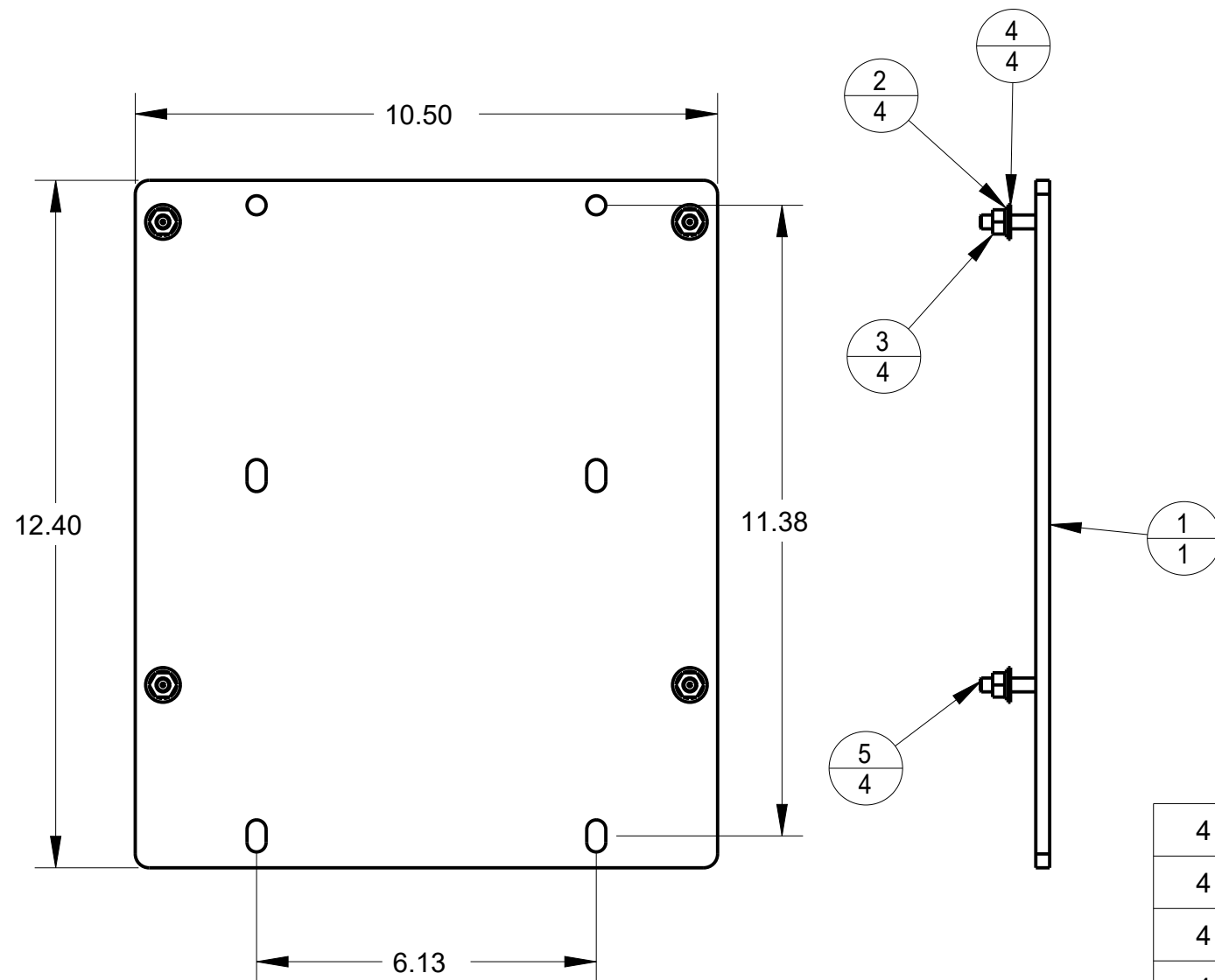


NOTE:

1. 1/4" MOUNTING HARDWARE NOT SUPPLIED WITH UNIT.
2. IF REPLACING A ARDB2-1XXX OR -0XXX BREATHER REQUEST MOUNTING ADAPTER 1030-1980.
3. IF WANTING TO CONTINUE USE OF ARDB2 CABLES REQUEST ADAPTER KIT 1030-1747K.
4. TO MOUNT THE DCB TO AN EXISTING MFDB CONTROL BOX MOUNTING REQUEST ADAPTER 1030-2033.
5. SYSTEM FEATURES:
 - *SOPHISTICATED MICROPROCESSOR CONTROL SYSTEM
 - *RUGGED ALL CAST ALUMINUM STRUCTURAL COMPONENTS.
 - *BOROSILICATE CLEAR GLASS GLOBE.
 - *LOCAL AND REMOTE ALARMS.
 - *HUMIDITY SENSOR MONITORING.
 - *DUAL COLUMN ENSURES FRESH SILICA GEL IS ALWAYS AVAILABL.E.
 - *SUPER BRIGHT LOCAL LED INDICATORS.

NOTES:

1. INSTALL PEM THREADED STUDS W/O SCRATCHING THE ANODIZED FINISH.
2. HARDWARE (WASHERS/NUTS) SHOULD BE SHIPPED IN A ZIPLOCK BAG.



REVISIONS			
LTR	REVISION	DATE	APPROVAL
A	1) NEW DRAWING WAS MPS-0238 PER DRC# 022218A	02/22/2018	AM JP

4	8010-371-15	1/4-20 X 31.75MM PEM STUD FLUSH HEAD 300 SERIES SS	5
4	8010-166-05	WASHER, FLAT SST .281 ID, .625 OD,.045 THK	4
4	8010-126-06	NUT, PLAIN HEX SST .25-20 UNC	3
4	8010-124-06	WASHER, LOCK 1/4" SCREW SST	2
1	1030-1980-01	ADAPTER PLATE, ARDB2-1XXX TO ARDB-DC	1
QTY	DRAWING NO.	TITLE	ITEM NO.

PARTS LIST

SOURCE: (M/P)	HVS MATERIAL CODE:	QTY. OF MATERIAL:	© SPX Transformer Solutions, Inc. All rights reserved.	
UNLESS OTHERWISE SPECIFIED DIMENSIONS ARE IN INCHES TOLERANCE ARE FRACTIONS DECIMALS ANGLES .XX ± .01 X° ± 1° .XXX ± .005		DRC / ECR NUMBER:		SPX TRANSFORMER SOLUTIONS 9011 GOVERNORS ROW DALLAS, TEXAS 75247 ADAPTER PLATE, UNIVERSAL ARDB2-0&1XXX TO NextGen
DO NOT SCALE DRAWING		APPROVALS	DATE	
MATERIAL ANALYSIS NUMBER:	DRAWN			SIZE
DATE ANALYSIS PERFORMED:	CHECKED			SCALE
	QC			DWG. NO.
				1030-1980
				REV.
				A
MATERIAL			VENDOR INFO	SHEET
				1 of 1

NEXT ASSY

TRANSFORMER HEALTH PRODUCTS®

COMPANY AND PROPRIETARY: This document contains proprietary information of Waukesha Electric Systems, Inc. and may not be disclosed, copied, modified or used without the written permission of Waukesha Electric Systems, Inc. If Waukesha Electric Systems, Inc. has authorized your possession and/or use of this document, Waukesha Electric Systems, Inc. has granted you a limited, revocable license to use this document and the information in it only for purposes specified by Waukesha Electric Systems, Inc. The document must be promptly returned to Waukesha Electric Systems, Inc. after its use and/or upon demand by Waukesha Electric Systems, Inc. Any possession, disclosure, copying, modification or use not authorized by Waukesha Electric Systems, Inc. can constitute a violation of applicable law and be subject to severe penalties.