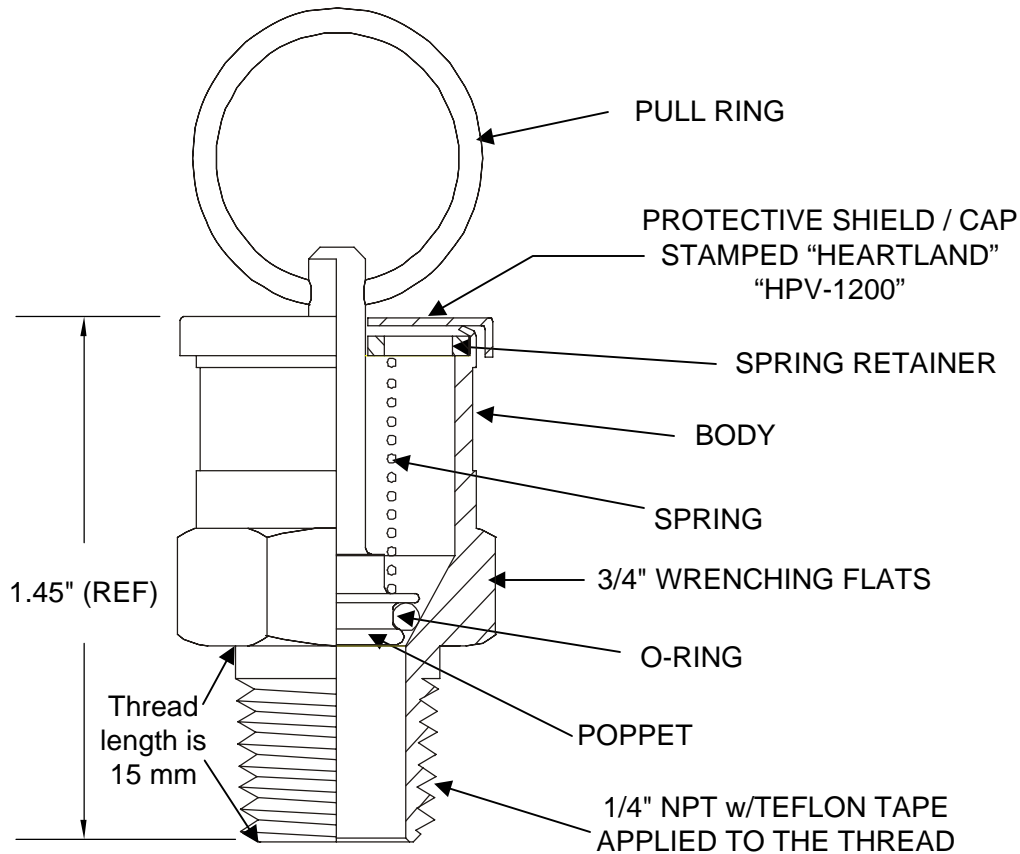




Heartland
SOLUTIONS, INC.



Part Description

Part Description	Material
Body	Brass
Poppet	Brass
O-Ring	Viton
Spring	Stainless Steel
Spring Retainer	Stainless Steel
Shield / Cap	Brass
Pull Ring	Stainless Steel

Operation

Cracking Pressure, 10 PSIG +/- 2 PSIG
 Reseal Pressure 8 PSIG +/- 2 PSIG
 Zero Leaking from Reseal Pressure to -8 PSIG
 Flow Rate, 50 SCFM @ 15 PSIG @ 70 degrees F

Fluid Compatibility

Mineral Oil



HPV-1200-15 1/4"-18 NPT PRESSURE RELIEF VALVE		REVISION 01
SCALE: NONE		REVISION DATE: 20 MAR 2009
HEARTLAND SOLUTIONS, INC.		DRAWING NO.
PH: 800.957.3493 FAX: 877.779.4567		HPV-1200-15
info@hland.com	www.heartlandsolutionsinc.com	