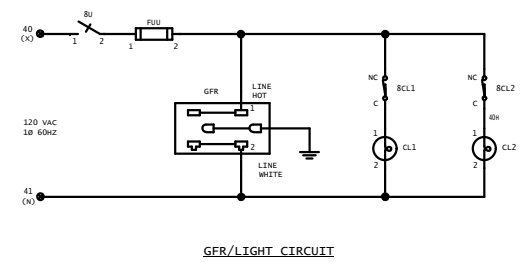
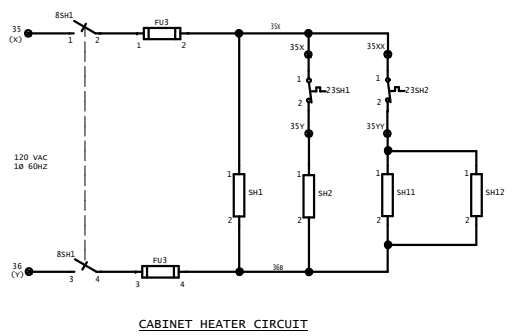
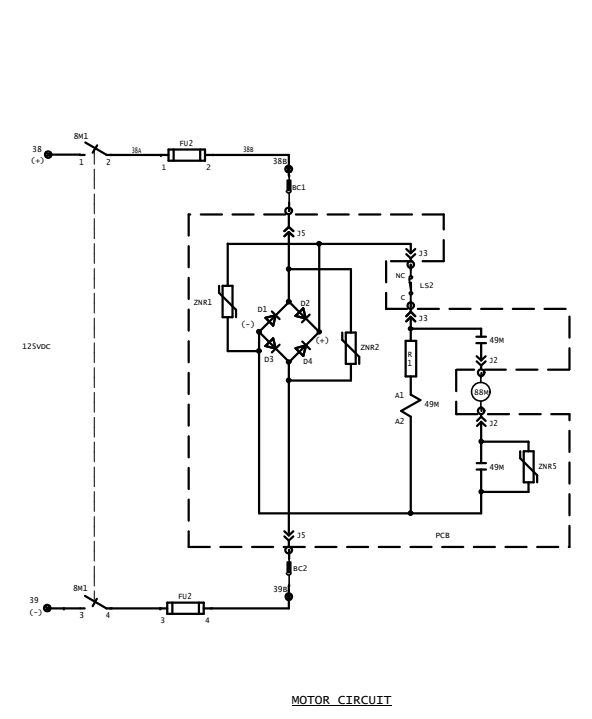
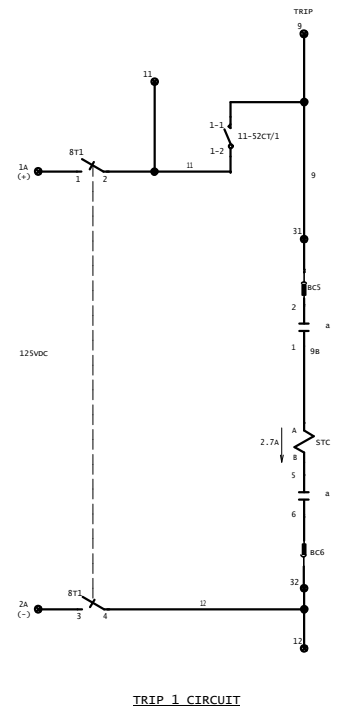
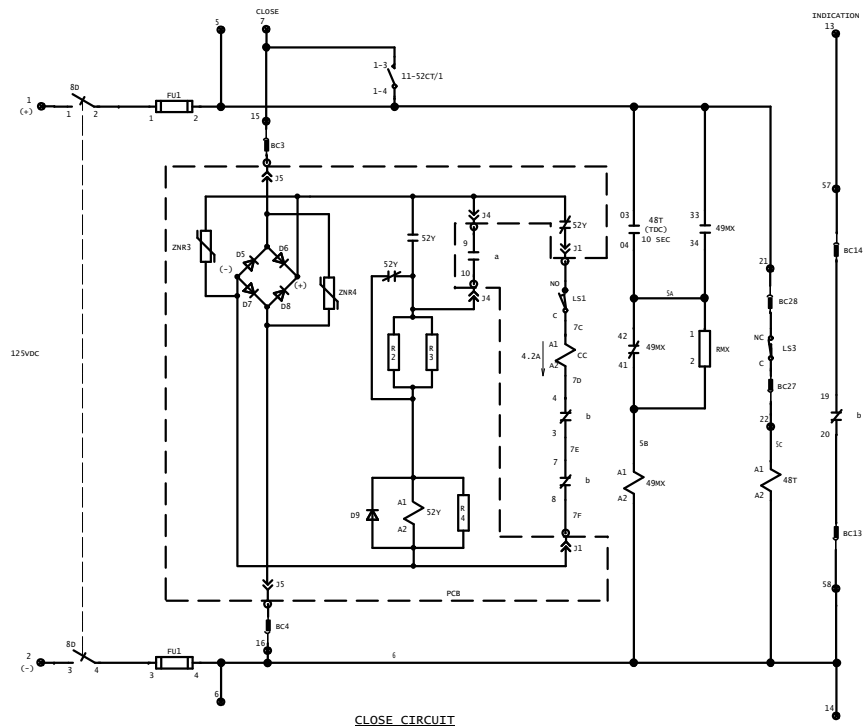
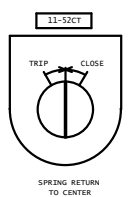
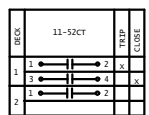


MD100111



REVISIONS	DIM. IN MM SCALE [2x] NTS	DRAFTER	DATE	MITSUBISHI ELECTRIC POWER PRODUCTS, INC. WAREHOUSES, PA.	
	PROPRIETARY This document is the property of Mitsubishi Electric Power Products, Inc. and contains proprietary and confidential information which may not be disclosed, used or otherwise made an expressly authorized by Mitsubishi Electric Power Products, Inc.	G. GRAHAM	11/01/05		
	REF. DWG. NO. MD400000	APPROVED	DATE		TITLE
	FILE LOCATION:	TAP	12/02/05		15DV25 STANDARD SCHEMATIC DIAGRAM
				DWG. NO. MD100111 SHEET 1 OF 2	

DEVICE	DESCRIPTION	NO. #	MANUFACTURE	MANP. #
8CL1, 8CL2	LIGHT SWITCH (DOOR ACTIVATED)	M00151	SQUARE-D	9007-44721
8SH1, 8D, 8T1, 8M1	1 POLE, KNIFE SWITCH, 30A, 600V FRONT CONNECT	M00102	STATES COMPANY	202-B
8U	SINGLE POLE - KNIFE SWITCH, 30A, 600V FRONT CONNECT	M00342	STATES COMPANY	201-A
11-52CT	CLOSE/TRIP SWITCH (2-DECK)	M00348	SQUARE D	9001-K553BH26V38
23SH1, 23SH2	THERMOSTAT, CABINET HEATERS	M00104	ELMWOOD	24556BU81C10033 W/8206
48T	30VDC RELAY	M00104	TELEMECANIQUE	C48326CB
49RX	CONTROL RELAY	M00073	MITSUBISHI	SRD-N5320C48
52a/1, 52b/1	125VDC, BH2 MOTOR	M00444	NEPPI	
88M	125VDC, BH2 MOTOR	M00444	NEPPI	ME-W15
CC	COIL, CLOSE, 125 VDC, 300HM, BH2	M00438	NEPPI	3N372917-020
CL1, CL2	70/60W 120/180VAC ROUGH SERVICE CABINET LIGHT	M00229	GE	
FU1, FU2, FU3	15A 2 POLE FUSE	M00101-2	FERRAZ SHAMMUT	OT15
FU4	20A 1 POLE FUSE	M00100	FERRAZ SHAMMUT	OT20
GFR	RECEPTACLE, GFCI, 20A 125VAC	M00360	LEVITON	8895
L51, L52, L53	MECHANISM LIMIT SWITCH	M00354	OMRON	X-10GM22-B
PCB	PC BOARD 15kv PCB 125VDC		MITSUBISHI ELECTRIC	(SEE TABLE 1 FOR CONTENTS)
RXK	25w 1k OHM	M00369	CLAROSTAT	VP25K1000
SH1, SH2, SH11, SH12	CABINET HEATER 120VAC, 250W		WELLMAN	55-2061
STC	125VDC SINGLE TRIP COIL BH2	M00435	NEPPI	3N374228-V02



- NOTES
- CLOSING SPRING IS SHOWN DISCHARGED.
 - AUXILIARY SWITCHES ARE SHOWN WITH BREAKER IN OPEN POSITION.
 - RELAY CONTACTS ARE SHOWN WITH COILS DE-ENERGIZED.
 - DISCONNECT SWITCHES ARE SHOWN OPEN.
 - Normally Open Contact
 - Normally Closed Contact
 - Time Delay Normally Open Contact
 - Open Contact of Limit Switch
 - Open Contact with Spring Return
 - Thermostat Break Contact
 - Plug in Connection Points
 - CONTROL TERMINAL BLOCKS DESIGNATED BY (●) TYPE AND RATING: MARATHON 1512STD OR 15065TD 600V 30A TERMINAL SCREW: 10-32 WASHER HEAD CAPABLE OF CONNECTION UP TO 10 AWG
 - WIRE TERMINATIONS: NON-INSULATED RING TONGUE, COMPRESSION TYPE.
 - WIRE NUMBER IS THE SAME AS THE TERMINAL POINT NUMBER UNLESS OTHERWISE IDENTIFIED.
 - WIRE SPECIFICATIONS:
 - CABINET HEATER LEAD WIRES - 600V 302 F (150° C) SFF2 12AWG (WHITE)
 - GROUNDING CIRCUITS - 600V 12AWG MTH (GREEN)
 - GFR/LEWIT CIRCUIT - 600V 12AWG MTH (YELLOW)
 - ALL OTHER CIRCUITS - 600V 14AWG MTH (YELLOW)
 - PLUG IN CONNECTOR LEAD WIRES - 600V 14AWG MTH (YELLOW)

TABLE 1: PCB - PC BOARD

DEVICE	DESCRIPTION	TYPE AND RATING
ZNR1-ZNR5	SURGE ABSORBER	ERZV10D681 MATSUSHITA
D1-D8	DIODE	RM-4C SANKEN
D9	DIODE	ERK15-10 FUJII
R1	RESISTOR	11/6Z
R2	RESISTOR	EG33 (1/6 W/3W) MATSUSHITA
SZY	ANTI-PUMPING RELAY	G2R-24 (48V) OMRON
49M	MOTOR AUXILIARY RELAY	G2R-24 (100V) OMRON

OPERATING CHARACTERISTICS

DEVICE	NOMINAL VOLTAGE	CURRENT	OPERATING VOLTAGE RANGE
CC	125 VDC	4.2 A	90-140 VDC
STC	125 VDC	2.7 A	70-140 VDC
88M	125 VDC	START 6.0 A RUN 1.5 A	70-140 VDC

