



PRESSURE RELIEF DEVICES

Heartland offers an array of Pressure Relief Devices which vent excess pressure in transformer and other electrical equipment. Various ANSI and IEEE C57 series standards specify Pressure Relief Devices for oil filled transformers. All the Heartland models meet or exceed these standards. The Heartland standard pressure relief devices are available with yellow semaphores, ANSI and Industry Standard switches.

FEATURES FOR NO SWITCH MODELS

- Precision die cast Aluminum base
- Low profile rugged Stainless Steel cover
- ANSI 70 gray finish
- Durable Stainless Steel diaphragm
- Calibrated springs for 5,8,10 and 12 PSI operation
- Reliable dual seal design
- Bright yellow indicator rod
- Optional yellow semaphore
- Suitable for outside application
- Meets and exceeds ANSI and IEEE Standards



HEARTLAND MODELS NUMBERS

- | | |
|---------------|-------------------|
| • TW-10102073 | 5 psi |
| • TW-10102074 | Yellow semaphore |
| • TW-10102075 | 5 psi, semaphore |
| • TW-10102084 | 8 psi |
| • TW-10102085 | 8 psi, semaphore |
| • TW-10102092 | 10 psi |
| • TW-10102093 | 10 psi, semaphore |
| • TW-10102100 | 12 psi |
| • TW-10102101 | 12 psi, semaphore |

FEATURES FOR SWITCH MODELS

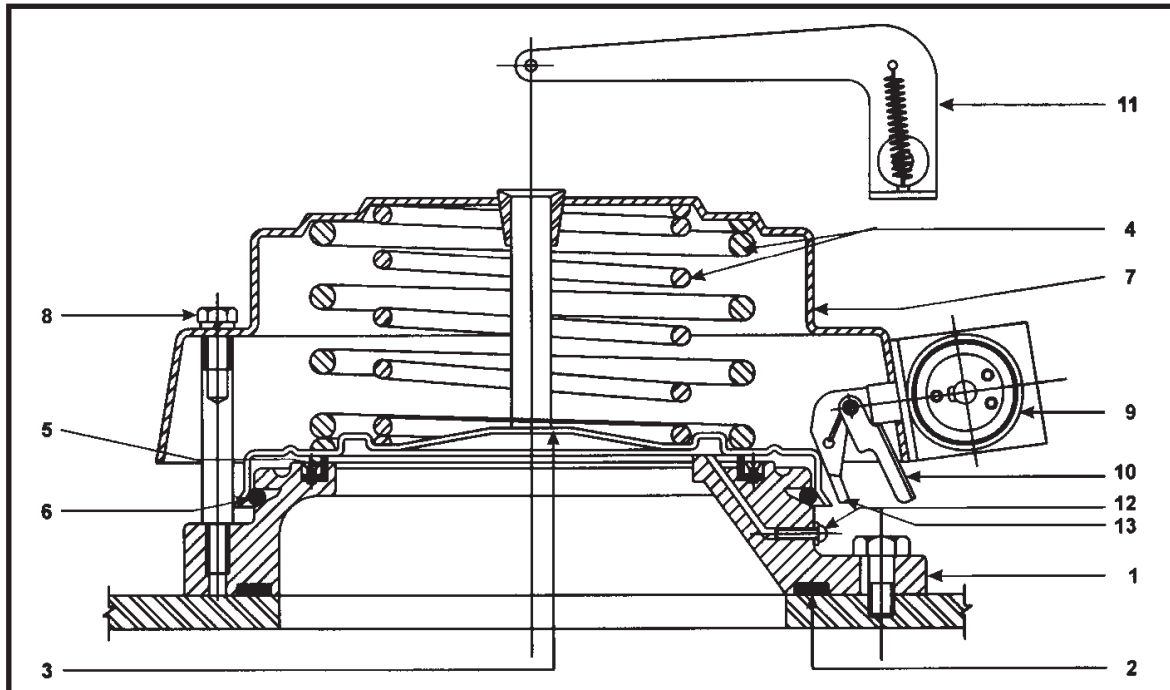
- Precision die cast Aluminum base
- Low profile rugged Stainless Steel cover
- ANSI 70 gray finish
- Durable Stainless Steel diaphragm
- Calibrated springs for 5,8,10 and 12 PSI operation
- Reliable dual seal design
- Bright yellow indicator rod
- Alarm switch with connector and 48" long cable
- Optional yellow semaphore
- Suitable for outside application
- Meets and exceeds ANSI and IEEE Standards



HEARTLAND MODELS NUMBERS

- | | |
|---------------|--------------------------------|
| • TW-10102078 | 5 psi, Standard switch |
| • TW-10102079 | 5 psi, Std. switch, semaphore |
| • TW-10102082 | 5 psi, ANSI switch |
| • TW-10102083 | 5 psi, ANSI switch, semaphore |
| • TW-10102087 | 8 psi, Standard switch |
| • TW-10102088 | 8 psi, Std. switch, semaphore |
| • TW-10102090 | 8 psi, ANSI switch |
| • TW-10102081 | 8 psi, ANSI switch, semaphore |
| • TW-10102095 | 10 psi, Standard switch |
| • TW-10102096 | 10 psi, Std. switch, semaphore |
| • TW-10102098 | 10 psi, ANSI switch |
| • TW-10102099 | 10 psi, ANSI switch, semaphore |
| • TW-10102103 | 12 psi, Standard switch |
| • TW-10102104 | 12 psi, Std. switch, semaphore |
| • TW-10102106 | 12 psi, ANSI switch |
| • TW-10102107 | 12 psi, ANSI switch, semaphore |

TECHNICAL DATA

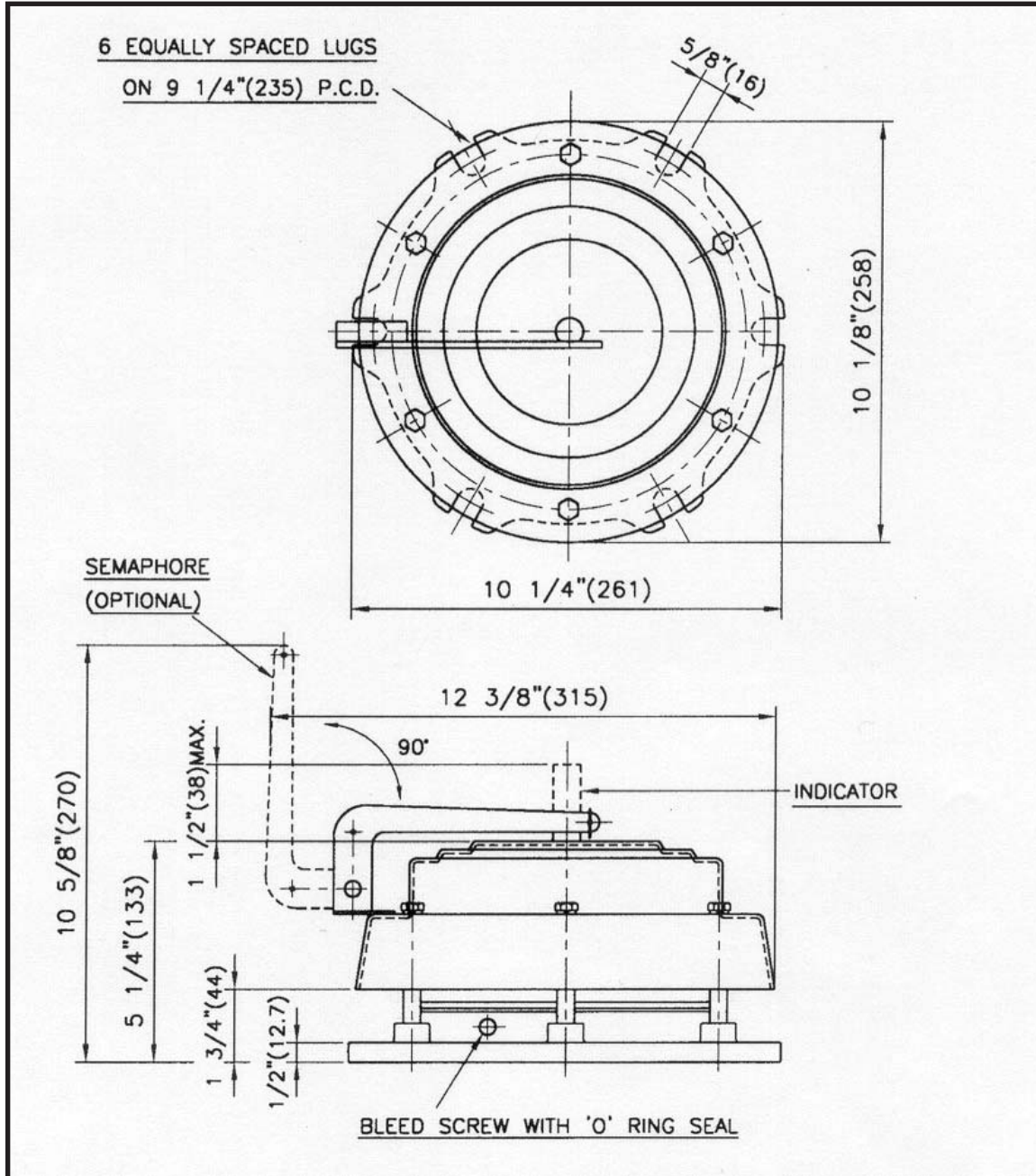


PRESSURE RELIEF DEVICE DIAGRAM IDENTIFICATION:

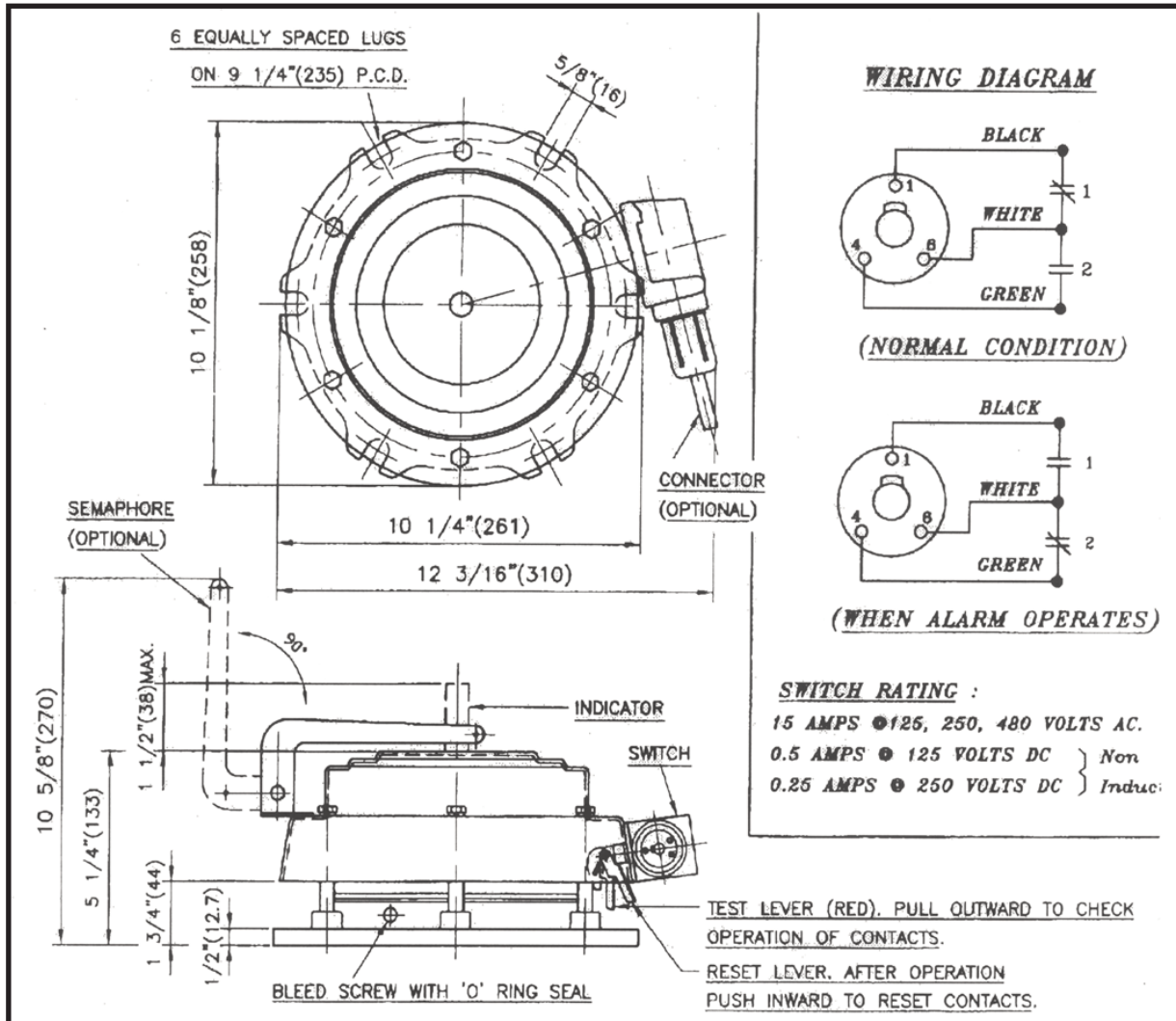
- | | | | |
|----|-----------------|-----|--|
| 1. | Mounting flange | 8. | Spring cover screws (6) |
| 2. | Mounting gasket | 9. | Optional switch |
| 3. | Diaphragm | 10. | Manual reset lever for optional switch |
| 4. | Springs | 11. | Optional yellow semaphore |
| 5. | Top seal | 12. | Gas bleed screw |
| 6. | Side seal | 13. | Manual test lever for optional switch |
| 7. | Spring cover | | |

The pressure relief device is designed to open and close automatically. When the pressure reaches the operating pressure the pressure relief device will open and remain open until the pressure falls to the reseal pressure. The pressure relief device reseals at a positive pressure. Pressure relief devices are available with an optional alarm switch and semaphore.

DIMENSIONAL DATA FOR NO SWITCH MODELS



DIMENSIONAL DATA FOR STANDARD SWITCH MODELS



DIMENSIONAL DATA FOR ANSI SWITCH MODELS

