

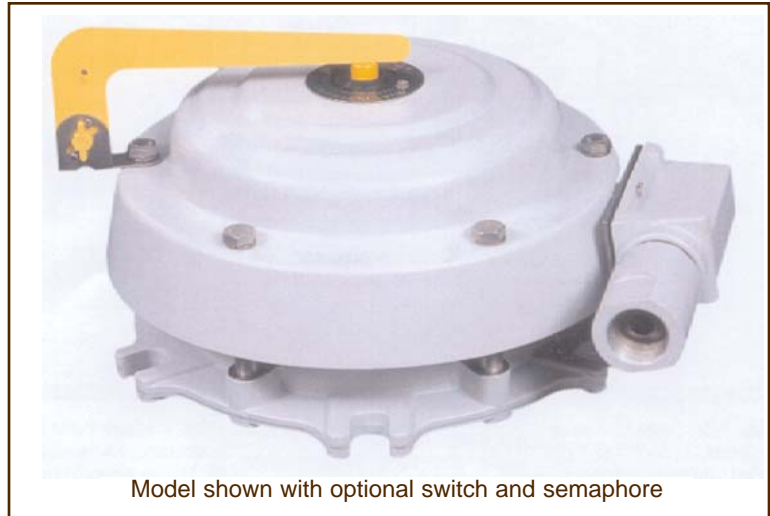
CELTIC TIGER

**TW-10102084
DATA SHEET**

Pressure Relief Device

FEATURES

- Precision die cast Aluminum base
- Low profile rugged Stainless Steel Cover
- ANSI 70 gray finish
- Durable Stainless Steel diaphragm
- Calibrated springs for 8 PSI operation
- Reliable dual seal design
- Bright yellow indicator rod
- Optional alarm switch with connector and 48" long cable
- Optional yellow semaphore
- Suitable for outside application
- Meets and exceeds ANSI and IEEE Standards



Model shown with optional switch and semaphore

TW-10102084 MODEL

The TW-10102084 is one model
in a full array of
Pressure Relief Devices.

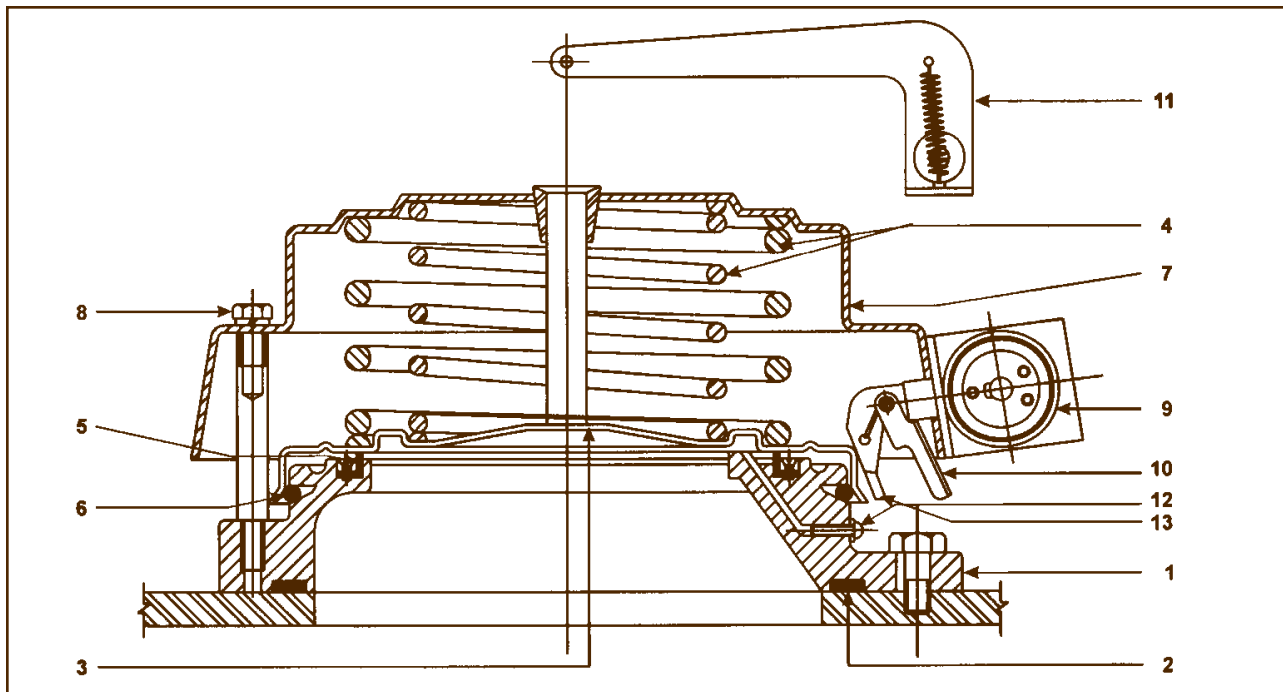
Heartland offers a full array of Pressure Relief Devices which vent excess pressure in transformer and other electrical equipment. Various ANSI and IEEE C57 series standards specify Pressure Relief Devices for oil filled transformers. These Pressure Relief Devices meet or exceed these standards.

 **Products Division**

**Heartland Solutions, Inc.
630 Brooker Creek Blvd.
Suite 345
Oldsmar, FL 34677**

**Phone: 800.957.3493
Fax: 877.779.4567
Internet: info@hland.com**

TECHNICAL DATA



PRESSURE RELIEF DEVICE DIAGRAM IDENTIFICATION:

1. Mounting flange
2. Mounting gasket
3. Diaphragm
4. Springs
5. Top seal
6. Side seal
7. Spring cover
8. Spring cover screws (6)
9. Optional switch
10. Manual reset lever for optional switch
11. Optional yellow semaphore
12. Gas bleed screw
13. Manual test lever for optional switch

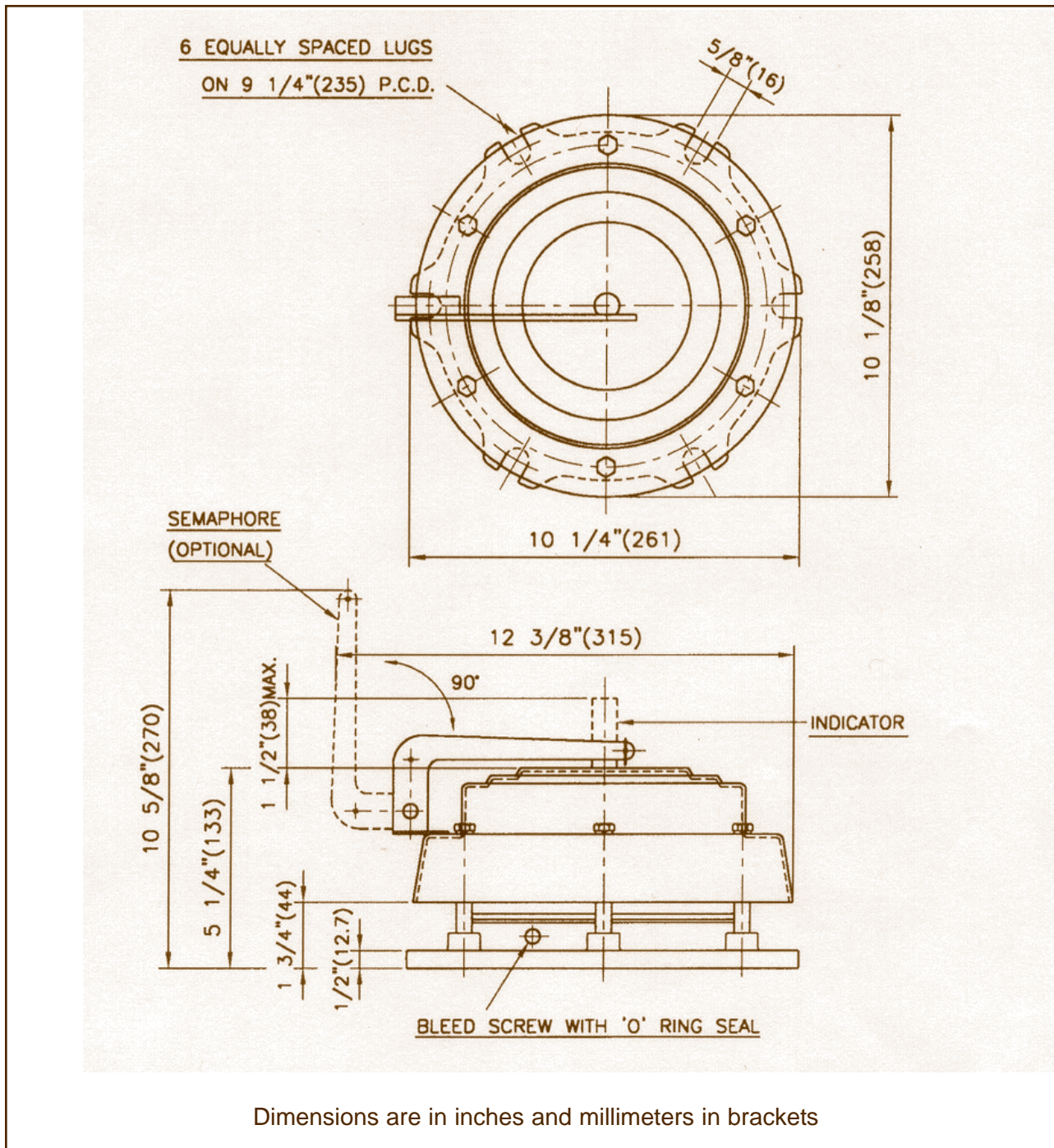
The pressure relief device is designed to open and close automatically. When the pressure reaches the operating pressure the pressure relief device will open and remain open until the pressure falls to the reseal pressure. The pressure relief device reseals at a positive pressure. Pressure relief devices are available with an optional alarm switch and semaphore.

 **Products Division**

Heartland Solutions, Inc.
630 Brooker Creek Blvd.
Suite 345
Oldsmar, FL 34677

Phone: 800.957.3493
Fax: 877.779.4567
Internet: info@hland.com

DIMENSIONAL DATA



Heartland **Products Division**

Heartland Solutions, Inc.
630 Brooker Creek Blvd.
Suite 345
Oldsmar, FL 34677

Phone: 800.957.3493
Fax: 877.779.4567
Internet: info@hland.com